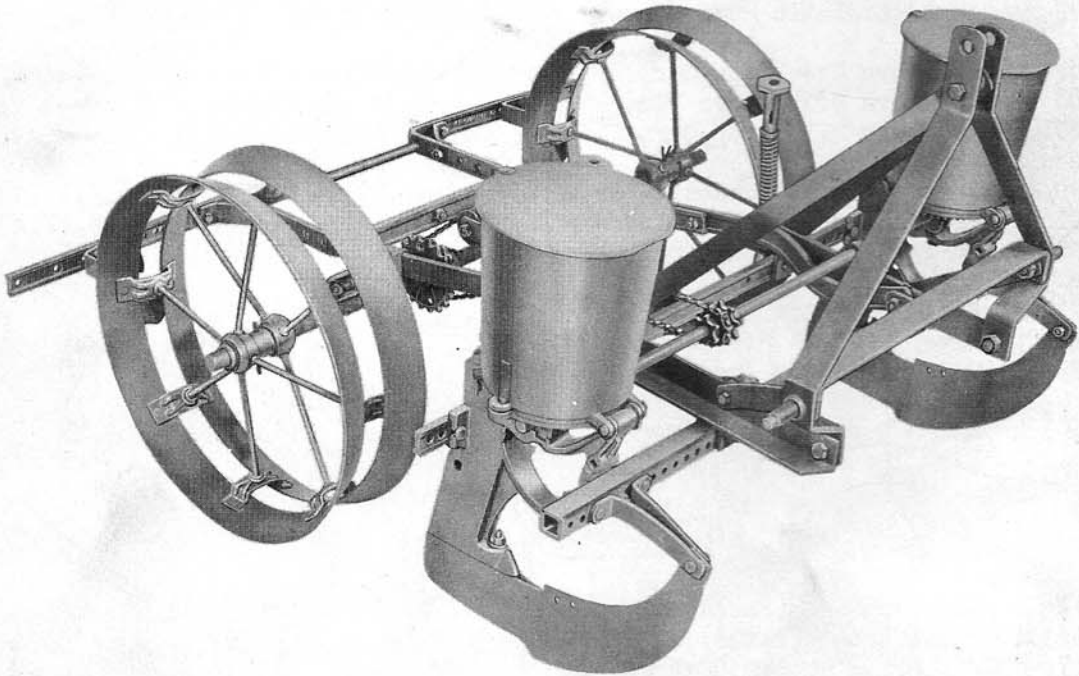


DEARBORN  
**PLANTERS**

**MODELS** 12-50,-87 (CHECK ROW)  
**MODELS** 12-62,-88 (DRILL)  
**MODEL** 12-89 (HILL DROP)

**PARTS BOOK**



**August, 1956**

**TRACTOR AND IMPLEMENT DIVISION**

*Ford Motor Company*

2500 EAST MAPLE ROAD • BIRMINGHAM, MICHIGAN

# Planter

## MODEL INDEX

<u>Model No.</u>	<u>Description</u>	<u>Page No.</u>
12-50	Dearborn Corn Planter - Replaced by 12-87 . . . (1950-51)	---
12-62	Dearborn Corn Drill Planter - Replaced by 12-88(1950-51)	---
12-63	Disc Opener . . . . . (1950-51)	42
12-64	Disc Coverers . . . . . (1950-51)	40
12-65	Semi-Automatic Disc Markers . . . . . (1950-51)	45
12-66	Gauge Wheels . . . . . (1950-51)	41
12-67	Extension Hopper - Replaced by 129176 . . . . (1950-54)	21
12-69	Wheel Bands - Replaced by 12-94 . . . . . (1950-51)	27
12-70	Fertilizer Attachments (For Model 12-50) . . (1950-51) Replaced by 12-90	32,37,39
12-71	Fertilizer Attachments (For Model 12-62) . . (1950-51) Replaced by 12-91	32,37,39
12-72	Semi-Automatic Hook Markers - Replaced by 12-93(1950-51)	45
12-87	Dearborn Check Row Corn Planter . . . . . (1952-55)	---
12-88	Dearborn Drill Corn Planter . . . . . (1952- )	---
12-89	Dearborn Hill Drop Corn Planter . . . . . (1952-56)	---
12-90	Fertilizer Attachment (For Models 12-87,89) . (1952-56)	35,37,39
12-91	Fertilizer Attachment (For Model 12-88) . . . (1952- )	35,37,39
12-92	Semi-Automatic Disc Marker . . . . . (1952- )	45
12-93	Semi-Automatic Hook Marker . . . . . (1952- )	45
12-94	Wheel Bands - Replaced by 121563 . . . . . (1953-54)	27
12-95	Gauge Shoe, 8" - Replaced by 129612 . . . . . (1952-54)	18
12-101	Disc Openers - Replaced by 12-117 . . . . . (1952-54)	43
12-117	Disc Openers - Replaced by 121128 . . . . . (1954)	43
EXTRA EQUIPMENT		
121128	Disc Openers (Pairs) . . . . . (1955- )	43
121563	Wheel Bands (Pairs) . . . . . (1955- )	27
129176	Extension Hopper (Pairs) . . . . . (1955- )	21
129612	Gauge Shoe . . . . . (1955- )	18

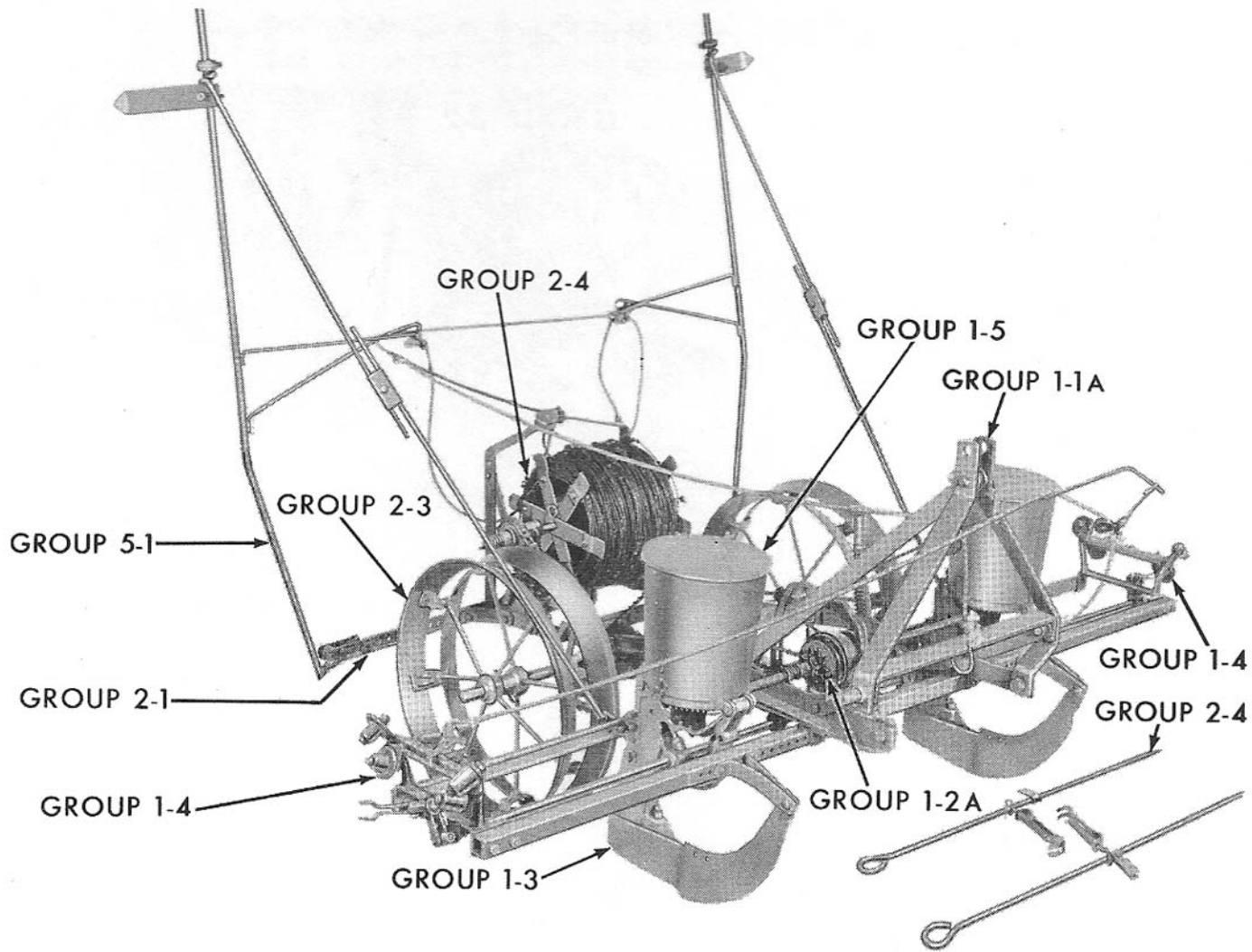


Figure 4 - Dearborn Check Row Corn Planter - Model 12-87

# Planter

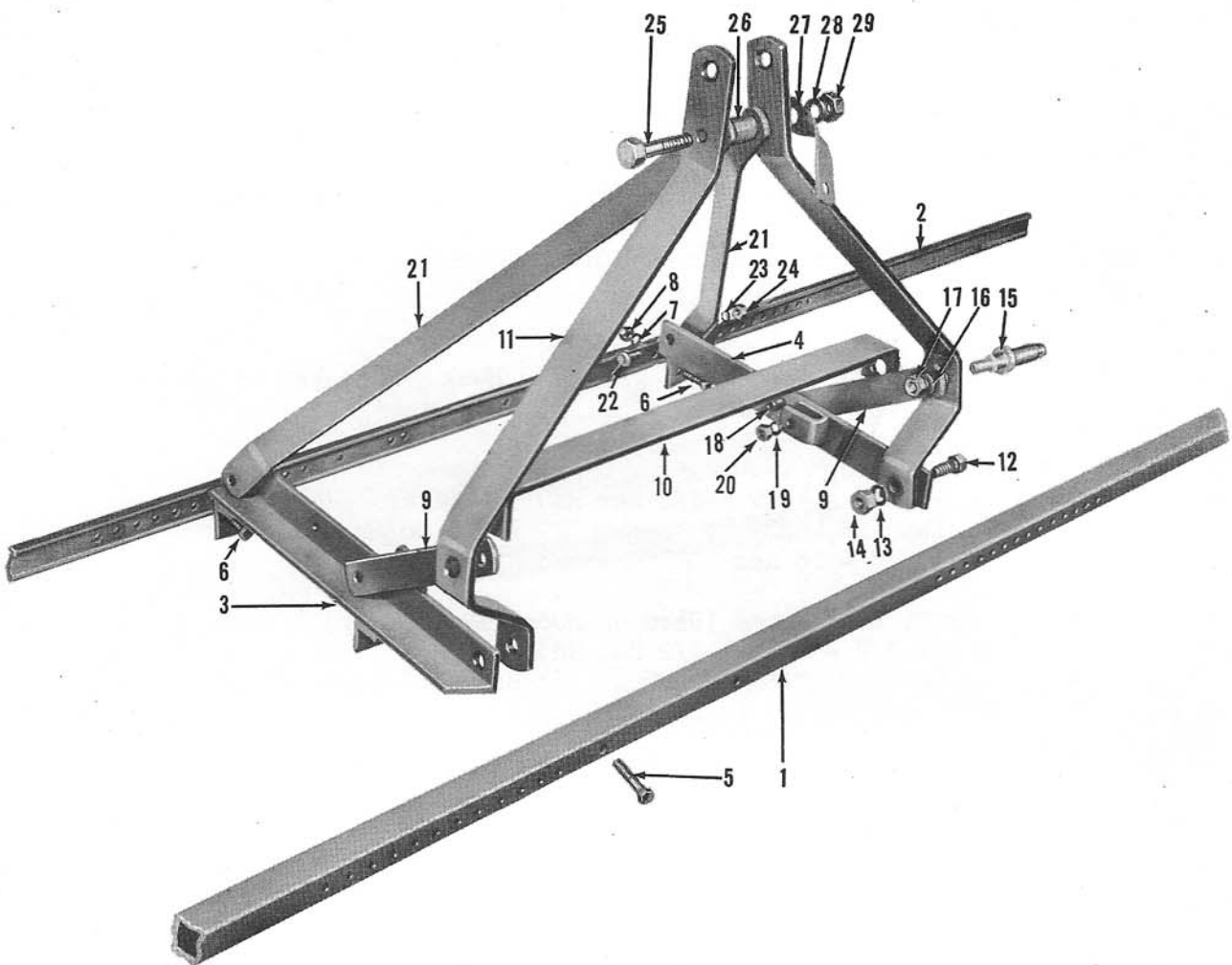


Figure 8 - Front Frame Assembly

FIG. 8	PART NO.	NAME AND DESCRIPTION	QTY. REQ.		
			12-87	12-88	12-89
<u>GROUP 1-1A FRONT FRAME ASSEMBLY, Models 12-87, 88, 89</u>					
1	128028	BAR, Front . . . . .	1		
-	128027	BAR, Front . . . . .		1	1
2	128025	BAR, Rear . . . . .	1		
-	128026	BAR, Rear . . . . .		1	1
3	127983	HITCH, Frame R. H. . . . .	1	1	1
4	127980	HITCH, Frame L. H. . . . .	1	1	1
5		BOLT, 7/16 - 1 1/4 x 2-1/4 Hex Hd - Hitch to Front Bar . .	2	2	2
6		BOLT, 7/16 - 1 1/4 x 1-3/4 Hex Hd - Hitch to Rear Bar . .	2	2	2
7		LOCKWASHER, 7/16 . . . . .	4	4	4
8		NUT, 7/16 - 1 1/4 Hex . . . . .	4	4	4

# Planter

FIG. 8	PART NO.	NAME AND DESCRIPTION	QTY. REQ.		
			12-87	12-88	12-89
		<u>GROUP 1-1A FRONT FRAME ASSEMBLY, Models 12-87, 88, 89 (Cont'd)</u>			
9	128048	BRACE, A-Frame . . . . .	2	2	2
-	128085	BRACE, End, Left . . . . .			1
-	127976	BRACE, End, Right . . . . .			1
10	128007	SPREADER, Top Link . . . . .	1	1	1
11	128024	UPRIGHT, A-Frame . . . . .	2	2	2
12		BOLT, 5/8 - 11 x 1-1/2 Hex Hd)			
13		LOCKWASHER, 5/8 ) Upright to Hitch . . . . .	2	2	2
14		NUT, 5/8 - 11 Hex )			
15	103497	PIN, Link )			
16		LOCKWASHER, 5/8 ) Upright thru Brace to Spreader . . . . .	2	2	2
17		NUT, 5/8 - 18 Hex)			
-		BOLT, 7/16 - 1 1/4 x 2-1/2 Hex Hd)			
18	128162	SPACER, 3/8 x 5/8 Pipe ) Brace thru Hitch . . . . .	2	2	2
19		LOCKWASHER, 7/16 )			
20		NUT, 7/16 - 1 1/4 Hex )			
21	127984	STRUT, A-Frame . . . . .	2	2	2
22		BOLT, 7/16 - 1 1/4 x 1-1/4 Carr)			
23		LOCKWASHER, 7/16 ) Strut to Hitch . . . . .	2	2	2
24		NUT, 7/16 - 1 1/4 Hex )			
25		BOLT, 5/8 - 11 x 3-1/4 Hex Hd)	1	1	1
26	125817	SPACER, 3/4 x 1-3/16 Pipe ) Upright thru Struts	1	1	1
27	128070	CLIP, Hook Retaining ) to Upright . . . . .	1	1	1
28		LOCKWASHER, 5/8 )	1	1	1
29		NUT, 5/8 - 11 Hex )	1	1	1

# Planter

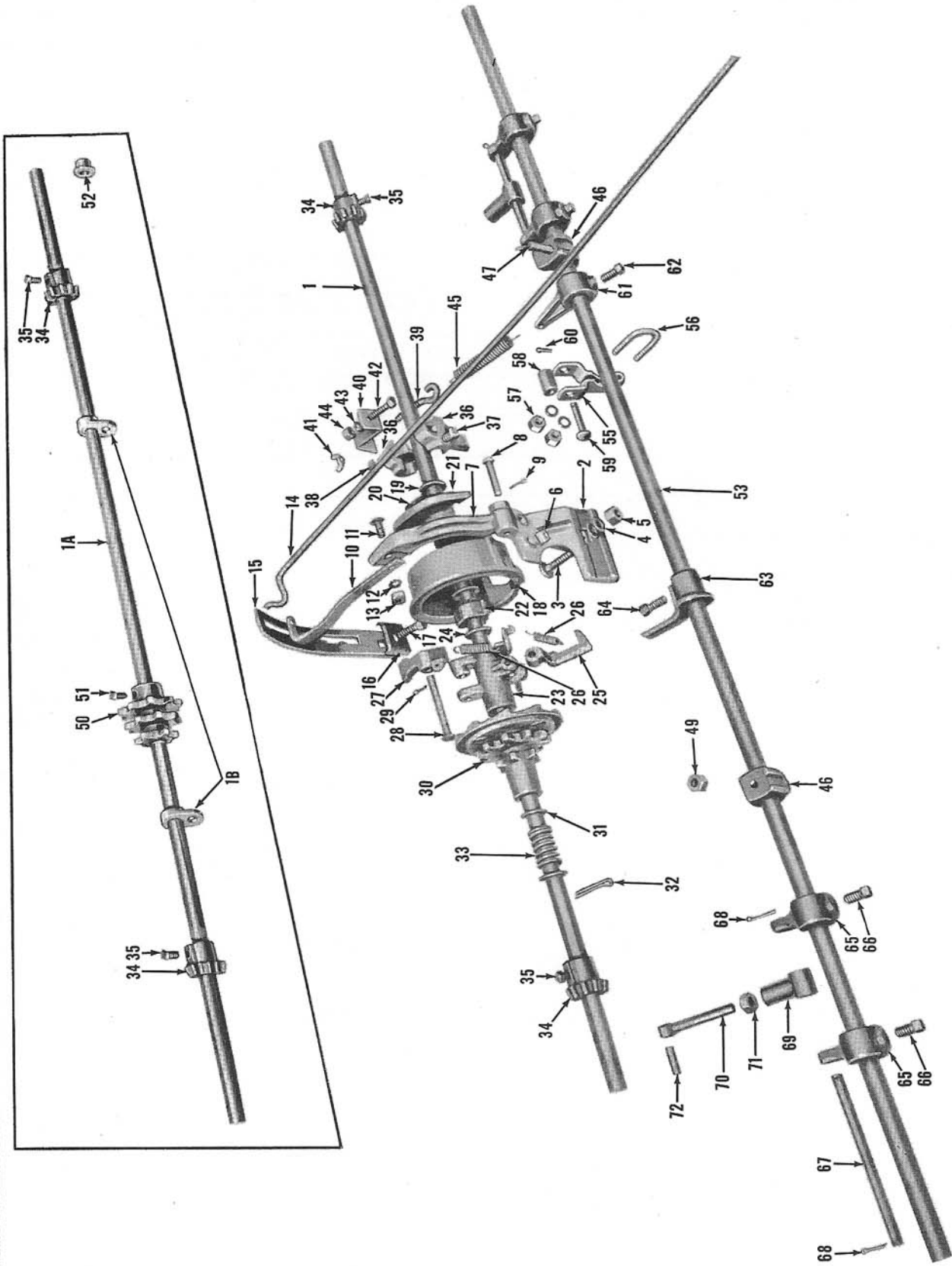


Figure 10 - Seed & Rocker Shaft Drive Parts



# Planter

FIG. 10	PART NO.	NAME AND DESCRIPTION	QTY. REQ.		
			12-87	12-88	12-89
<u>GROUP 1-2A SEED SHAFT AND ROCKER SHAFT DRIVE PARTS</u>					
1	128073	SHAFT, Seed . . . . .	1		
1A	128056	SHAFT, Seed . . . . .		1	1
1B	128166	BEARING, Seed Shaft . . . . .		2	2
-		BOLT, 7/16 - 1 1/4 x 1-1/4 Carr)			
-		LOCKWASHER, 7/16 ) Bearing to Hitch Assy. .		2	2
-		NUT, 7/16 - 1 1/4 Hex )			
-	125842	WASHER, 25/32 ID x 1-1/4 OD x .07 Flat - Shaft . . . .		2	2
2	128089	SUPPORT, Housing . . . . .	1		
3		BOLT, 7/16 - 1 1/4 x 2-3/8 Carr)			
4		LOCKWASHER, 7/16 ) Support to Front Bar . .	1		
5		NUT, 7/16 - 1 1/4 Hex )			
-		BOLT, 5/16 - 18 x 1 Plow)			
-		LOCKWASHER, 5/16 ) Support to Housing . . . . .	2		
6		NUT, 5/16 - 18 Hex )			
7	128090	CAM, Clutch . . . . .	1		
8		PIN, 5/16 x 1-3/4 - Rivet)			
9		COTTER PIN, 1/8 x 1 ) Cam to Support . . . . .	1		
10	128081	LEVER, Clutch Cam Extension . . . . .	1		
11		BOLT, 5/16 - 18 x 7/8 Carr)			
12		LOCKWASHER, 5/16 ) Lever to Cam . . . . .	1		
13		NUT, 5/16 - 18 Square )			
14	128069	LEVER, Clutch Shifting . . . . .	1		
15	128074	QUADRANT, Clutch . . . . .	1		
16	128065	RETAINER, Quadrant . . . . .	1		
17		BOLT, 3/8 - 16 x 1-3/8 Hex Hd)			
--		LOCKWASHER, 3/8 ) Retainer thru Quadrant	1		
--		NUT, 3/8 - 16 Hex ) to Rear Bar			
18	128505	HOUSING, Clutch . . . . .	1		
19	125842	WASHER, 25/32 ID Flat )			
20		COTTER PIN, 3/16 x 1-1/4) Housing to Shaft . . . . .	1		
--	125963	WASHER, Clutch Shim . . . . .		As	Req.
21	128050	COVER, Dust . . . . .			
--		BOLT, 1/4 - 20 x 3/4 Stove)			
--		NUT, 1/4 - 20 Square ) Cover to Housing . . . . .	1		
22	128051	RATCHET, Clutch . . . . .	1		
--		PIN, 3/16 x 1-1/8 Str Plain)			
--		PIN, 1/4 x 1-1/8 Str Plain ) Ratchet Retaining . . . . .	1		
23	128082	HOLDER, Clutch Dog and Pawl . . . . .	1		
24	125842	WASHER, 25/32 ID Flat - Holder to Clutch and Housing .	2		
25	125613	DOG, Clutch . . . . .	1		
--	128075	PIN, 5/16 x 2-1/8 Str Drld - Dog to Holder . . . . .	1		
26	125606	SPRING, Dog and Pawl . . . . .	2		
27	128053	PAWL, Clutch . . . . .	1		
28	128071	PIN, 3/8 x 3 Tension, Drld)	1		
29		COTTER PIN, 1/8 x 1 ) Clutch Pawl . . . . .	2		

# Planter

FIG. 10	PART NO.	NAME AND DESCRIPTION	QTY. REQ.		
			12-87	12-88	12-89
<b>GROUP 1-2A SEED SHAFT AND ROCKER SHAFT DRIVE PARTS (Cont'd)</b>					
30	121117	CLUTCH, Drive w/Double Sprocket . . . . .	1		
31	125842	WASHER, 3/4 Flat . . . . .	3		
32		COTTER PIN, 3/16 x 1-1/4 - Clutch Retaining . . . . .	2		
33	125615	SPRING, Clutch Tension . . . . .	1		
34	129232	GEAR, Bevel . . . . .	2	2	2
35		SET SCREW, 3/8 - 16 x 5/8 Sq Hd - Gear to Shaft . . . . .	2	2	2
36	128504	ARM, Trip . . . . .			2
--	121118	CAM, Hill Drop . . . . .	2		
37		SET SCREW, 3/8 - 16 x 5/8 Sq Hd Cup Pt)			
38		BOLT, 3/8 - 16 x 1-3/4 Carr )			
--		LOCKWASHER, 3/8 ) Arm to Shaft . . . . .	2		2
--		NUT, 3/8 - 16 Hex )			
39	125835	EYEBOLT, 5/16 - 18 x 2-5/8 . . . . .	1		1
40	125837	CLIP, Spring . . . . .	1		1
41		NUT, 5/16 - 18 Wing - Eye-Bolt to Clip . . . . .	1		1
42		BOLT, 3/8 - 16 x 1-1/4 Hex Hd)			
43		LOCKWASHER, 3/8 ) Clip to Rear Bar . . . . .	1		1
44		NUT, 3/8 - 16 Hex )			
45	125836	SPRING, Arm Return . . . . .	1		1
46	128164	BRACKET, Bearing . . . . .	2		2
47		BOLT, 7/16 - 14 x 1 Hex)			
49		NUT, 7/16 - 14 Sq ) Bracket to Frame . . . . .	2		2
50	125873	SPROCKET, Drive (Cluster Type) . . . . .		1	1
51		SET SCREW, 3/8 - 16 x 3/4 - Sprocket to Shaft . . . . .		1	1
52	127977	BEARING, Check Shaft . . . . .			2
53	125618	SHAFT, Check . . . . .	1		
--	128088	SHAFT, Hill Drop . . . . .			1
--		COTTER PIN, 3/16 x 1-1/4 - Hill Drop Shaft . . . . .			2
55	121111	BRACKET, Roller (Hill Drop) . . . . .	1		1
56	121112	"U" BOLT . . . . .	1		1
--		WASHER, 3/8 Flat )			
--		LOCKWASHER, 3/8 ) U-Bolt to Bracket . . . . .	2		2
57		NUT, 3/8 - 16 Hex)			
58	128302	SPACER, Pipe, 3/8 x 1-1/16 . . . . .	1		1
59	125844	PIN, 7/16 x 2, Drilled . . . . .	1		1
60		COTTER PIN, 1/8 x 1 - Pin Retaining . . . . .	1		1
61	128204	ARM, Clutch Trip Tension . . . . .	1		
62		SET SCREW, 7/16 - 14 x 3/4 Sq Hd, Cup Pt - Arm to Shaft	1		



# Planter

FIG. 10	PART NO.	NAME AND DESCRIPTION	QTY. REQ.	
		GROUP 1-2A SEED SHAFT AND ROCKER SHAFT DRIVE PARTS (Cont'd)	12-87	12-89
63	125619	ARM, Trip . . . . .	1	
64		SET SCREW, 7/16 - 1 1/4 x 3/4 Sq Hd, Cup Pt - Arm to Shaft	1	
65	125620	ARM, Rocker Shaft )	4	4
66		SET SCREW, 7/16 - 1 1/4 x 3/4 Sq Hd Cup Pt) Arm to Shaft	4	4
67	125564	ROD, Valve, Seed Boot . . . . .	2	2
68		COTTER PIN, 1/8 x 1 - Arm to Valve Stud . . . . .	4	4
69	125579	SOCKET, Connecting Rod . . . . .	2	2
70	125580	STUD, Valve . . . . .	2	2
71		NUT, 7/16 - 1 1/4 Hex - Stud to Socket . . . . .	2	2
72	125591	PIN, Valve - Stud to Long Valve Assembly . . . . .	2	2

# Planter

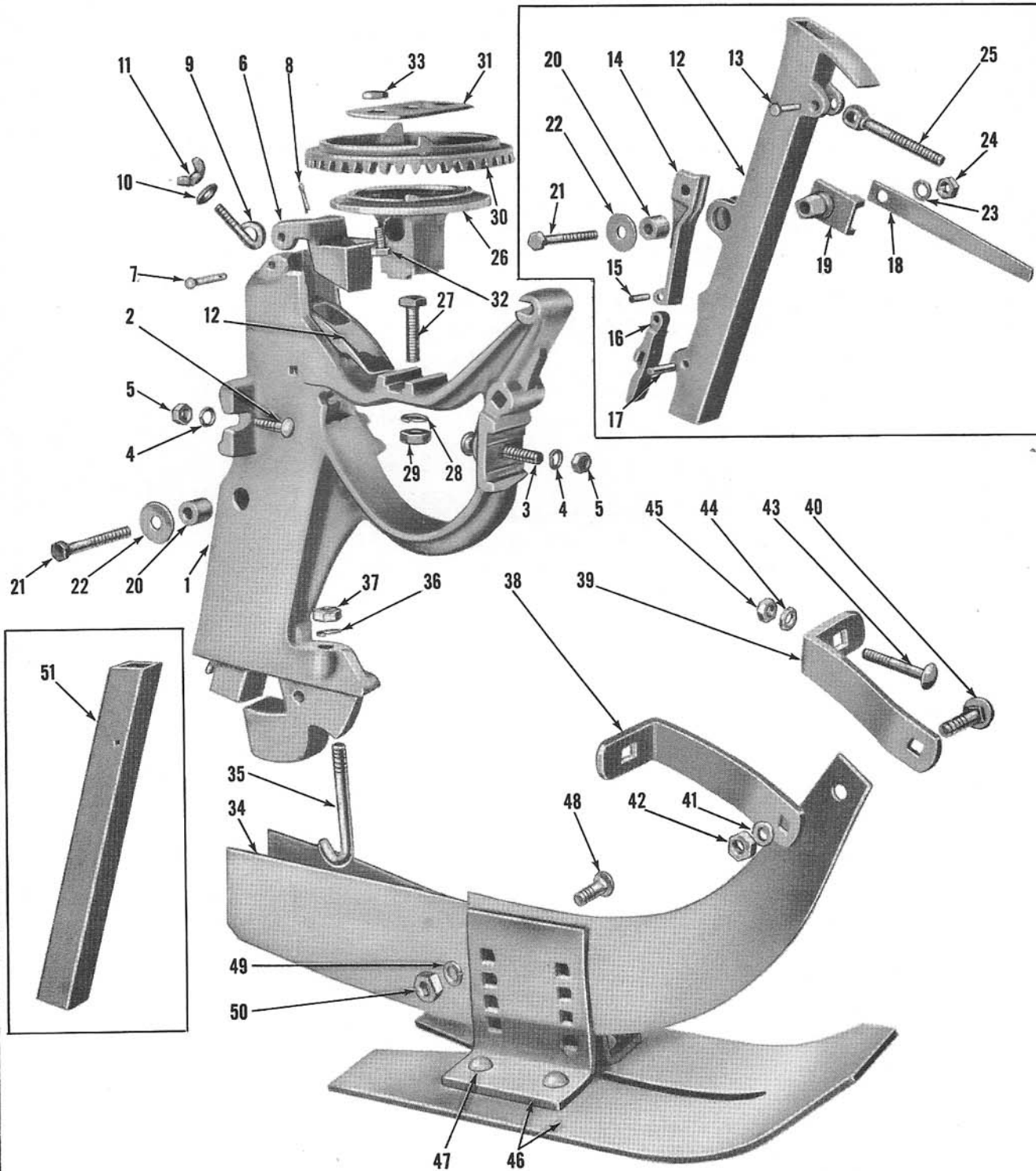


Figure 11 - Shank & Runner Opener Assembly

# Planter

FIG. 11	PART NO.	NAME AND DESCRIPTION	QTY. REQ.		
			12-50 12-87	12-62 12-88	12-89
		<u>GROUP 1-3 SHANK AND RUNNER OPENER ASSEMBLY FOR CORN PLANTERS</u>			
1	128083	SHANK, Runner Opener . . . . .	2	2	2
2		BOLT, 3/8 - 16 x 1-1/4 Carr)	4	4	4
3		BOLT, 3/8 - 16 x 2-3/4 Carr)	2	2	2
4		LOCKWASHER, 3/8 )	6	6	6
5		NUT, 3/8 - 16 Hex )	6	6	6
6	125582	SPOUT, Hopper Shank . . . . .	2		
7	125852	RIVET, 5/16 x 2-1/2 Drilled . . . . .	2		2
8		COTTER PIN, 1/8 x 3/4 - Spout & Eyebolt to Shank	2		2
9	128671	EYEBOLT, 5/16 - 18 )			
10		WASHER, 5/16 Flat ) Hopper Lock . . . . .	2	2	2
11		NUT, 5/16 - 18 Wing)			
12	125576	VALVE, Long (Inside Shank) . . . . .	2		2
13	125591	PIN, Valve - Long Valve to Stud . . . . .	2		2
14	125574	VALVE, Intermediate (Inside Shank, Middle) . .	2		2
15	125575	PIN, Valve, 1/4 x 15/16 - Intermediate Valve to Lower Valve . . . . .	2		2
16	125573	VALVE, Lower (Inside Shank) . . . . .	2		2
17	125577	PIN, Valve, 1/4 x 1-5/16 - Lower Valve to Long Valve	2		2
18	125592	STRAP, Lock, Valve . . . . .	2		2
19	125586	ARBOR, Lock Strap (Holds Lock Strap to Shank) .	2		2
20	125587	THIMBLE . . . . .	2		2
21		BOLT, 3/8 - 16 x 2-3/4 Hex Hd) Long Valve,			
22	125841	WASHER, 7/16 Flat ) Thimble, Arbor			
23		LOCKWASHER, 3/8 ) & Strap to Shank	2		2
24		NUT, 3/8 - 16 Hex )			
25	125580	STUD, Valve, 7/16 - 14 . . . . .	2		2
26	128491	SUPPORT, Ring Gear . . . . .	2	2	2
27		BOLT, 7/16 - 14 x 1-3/4 Hex Hd)			
28		LOCKWASHER, 7/16 )Support to Shank	2	2	2
29		NUT, 7/16 - 14 Hex )			
30	128680	GEAR, Ring . . . . .	2	2	2
31	128688	PLATE, Retainer, Ring Gear . . . . .	2	2	2
32		BOLT, 5/16 x 5/8 Hex Hd)			
33		NUT, 5/16 - 18 Hex ) Clamp to Gear to Support	4	4	4
34	128022	OPENER, Runner (WA) Use 128022 in pairs & replace Braces . . . . .	2	2	2
35	125589	BOLT, 7/16 - 14 Hook)			
36		LOCKWASHER, 7/16 ) Opener to Shank . . . . .	2	2	2
37		NUT, 7/16 - 14 Hex )			
38	125565	BRACE, Opener Support R. Replace w/128031, 12-50, 62	2	2	2
39	125566	BRACE, Opener Support L. Replace w/128003, 12-50, 62			
40		BOLT, 3/8 - 16 x 2 Carr)			
41		LOCKWASHER, 3/8 ) Braces to Opener . . .	2	2	2
42		NUT, 3/8 - 16 Hex )			
43		BOLT, 3/8 - 16 x 2-1/4 Carr)			
44		LOCKWASHER, 3/8 ) Braces to Front Bar	4	4	4
45	129612	NUT, 3/8 - 16 Hex )			

# Planter

FIG. 11	PART NO.	NAME AND DESCRIPTION	QTY. REQ.		
		<b>GROUP 1-3 SHANK AND RUNNER OPENER ASSEMBLY FOR CORN PLANTERS (Cont'd)</b>	12-50	12-62	
			12-87	12-88	12-89
46	129612	SHOE ASSEMBLY, Gauge . . . . . Consists of Shoe with Clamps of which the Clamps are not serviced separately plus items listed below:	2	2	2
--	129214	SHOE, Gauge . . . . .	2	2	2
47		RIVET, 3/8 x 5/8 Rd Hd - Clamps to Shoe .	8	8	8
48		BOLT, 3/8 - 16 x 1-1/4 Carr)			
49		LOCKWASHER, 3/8 ) Clamps to Opener .	4	4	4
50		NUT, 3/8 - 16 Hex )			
51	125695	SPOUT, Hopper Shank (Inside Shank) . . . . .		2	
--	128031	BRACE, Opener Support, Right . . . . .	2	2	2
--	128003	BRACE, Opener Support, Left . . . . .	2	2	2

## Group 1-4—CHECK HEAD ASSEMBLY

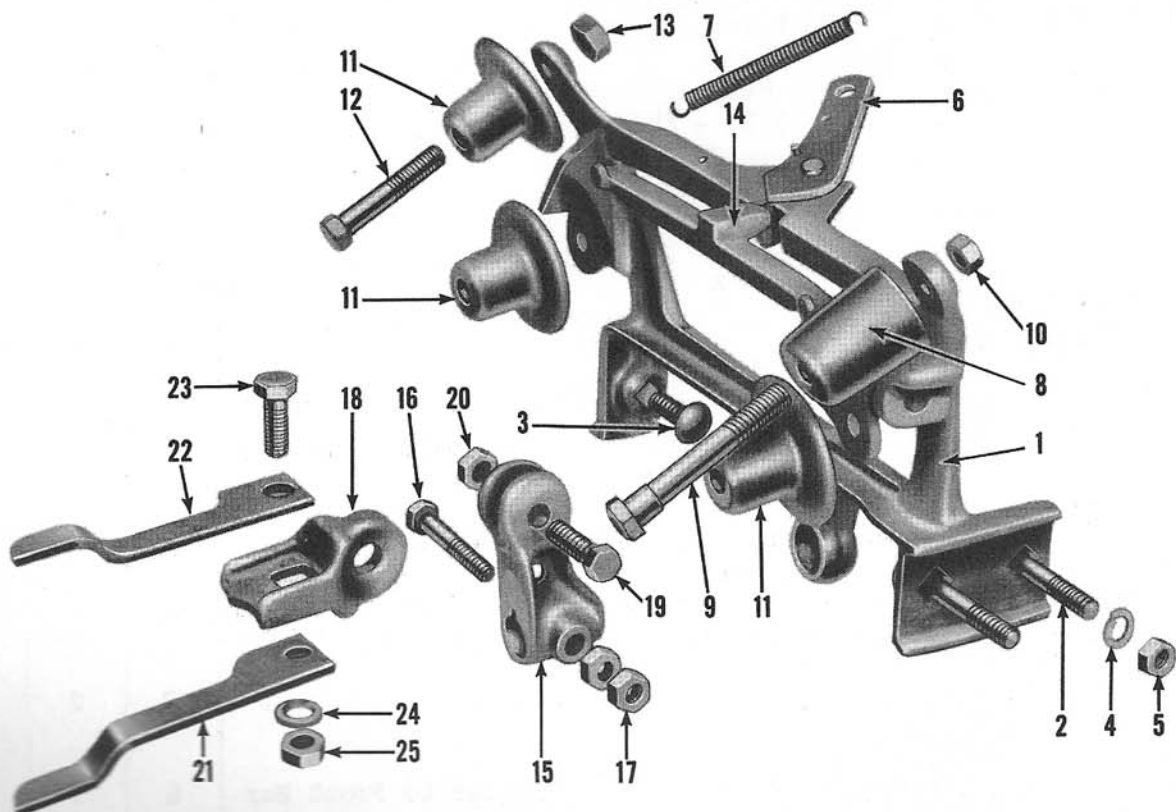


Figure 12 - Check Head Assembly

# Planter

FIG. 12	PART NO.	NAME AND DESCRIPTION	QTY. REQ.
GROUP 1-4 CHECK HEAD ASSEMBLY (Used on Model 12-50 & 12-87 only)			
1	128093	HEAD, Check, Right . . . . .	1
-	128094	HEAD, Check, Left . . . . .	1
2		BOLT, 3/8 - 16 x 2-3/4 Carr)	4
3		BOLT, 3/8 - 16 x 1-1/2 Carr)	2
4		LOCKWASHER, 3/8 ) Head to Front and Rear Bars	6
5		NUT, 3/8 - 16 )	6
6	128199	LATCH, Wire Dump, w/Pin . . . . .	2
-		PIN, 3/16 x 5/8 Roll - Latch to Check Head (12-50 only) . .	2
7	125606	SPRING, Wire Dump Latch . . . . .	2
-	128091	SPRING, Wire Dump Latch (12-87 only) . . . . .	2
8	125603	ROLLER, Wire . . . . .	2
9		BOLT, 7/16 - 1 1/4 x 2-3/4 Hex Hd)	
-		LOCKWASHER, 7/16 ) Roller to Check Head . . .	2
10		NUT, 7/16 - 1 1/4 Hex )	
11	125602	ROLLER, Wire . . . . .	6
12		BOLT, 7/16 - 1 1/4 x 2-1/2 Hex Hd)	
--		LOCKWASHER, 7/16 ) Rollers to Check Head	6
13		NUT, 7/16 - 1 1/4 Hex ) and Wire Dump	
14	125601	DUMP, Wire . . . . .	2
15	125596	HINGE, Fork . . . . .	2
16		BOLT, 3/8 - 16 x 2 Hex Hd)	2
17		NUT, 3/8 - 16 Hex ) Hinge to Shaft	4
18	125597	ARM, Fork . . . . .	2
19		BOLT, 3/8 - 16 x 1-1/4 Hex Hd)	
--		LOCKWASHER, 3/8 ) Arm to Hinge . . . . .	2
20		NUT, 3/8 - 16 Hex )	
21	125594	FORK, Wire, Right . . . . .	2
22	125595	FORK, Wire, Left . . . . .	2
23		BOLT, 3/8 - 16 x 1 Hex Hd)	
24		LOCKWASHER, 3/8 ) Forks to Arm . . . . .	2
25		NUT, 3/8 - 16 Hex )	





# Planter

FIG. 13	PART NO.	NAME AND DESCRIPTION	QTY. REQ.
		<u>GROUP 1-5 SEED HOPPER ASSEMBLY, FOR CORN PLANTERS</u>	
-	125934	HOPPER AND COVER ASSEMBLY, Seed . . . . . Consists of Hopper which is not serviced separately plus items listed below:	2
1	125716	COVER, Hopper . . . . .	2
-	125718	HINGE, Hopper Cover . . . . .	2
2	125717	SPRING, Latch . . . . .	2
3	125714	LATCH, Cover . . . . .	2
4	125713	RIVET, 1/4 x 1 Rd Hd Drld)	
5		WASHER, 1/4 Flat ) Spring and Latch to Hopper	2
6		COTTER PIN, 1/8 x 5/8 )	
7	125965	BOTTOM, Hopper . . . . .	2
8		NUT, 5/16 - 18 Hex - Bottom to Hopper . . . . .	4
9	125855	RIVET, 3/8 x 3-1/2 Rd Hd)	
10		COTTER PIN, 1/8 x 3/4 ) Bottom and Ring to Shank Hinge .	2
11	125726	LATCH, Hopper Bottom . . . . .	2
12		RIVET, 3/16 x 1-1/4 Rd Hd - Latch to Bottom . . . . .	2
13	125727	SPRING, Latch and Knocker . . . . .	4
14	125725	KNOCKER, Valve . . . . .	2
15	125722	CUT-OFF, Seed . . . . .	2
16	125728	SPRING, Cut-Off . . . . .	2
17	128692	CAP, Knocker and Cut-Off (Inside Hopper) . . . . .	2
18		SCREW, 1/4-20 x 3/4 Rd.Hd.) Cap to Hopper Bottom . . . . .	2
19		NUT, 1/4-20 Hex )	
20	125724	DISC, Hopper Bottom . . . . .	2
21	125723	WASHER, Disc . . . . .	2
22		BOLT, 3/8 - 16 x 1 Carr)	
23		LOCKWASHER, 3/8 ) Washer and Disc Bottom . . . . .	2
24		NUT, 3/8 - 16 Hex )	
25	125729	RING, Reversible . . . . .	2
26	126063	PLATE, Seed, Variable, See Seed Plate Reference List	2
--		SCREW, 10 - 24 x 5/8 Rd. Hd.) Knocker Cap . . . . .	2
--		NUT, #10 - 24 Hex )	
		<u>EXTRA EQUIPMENT</u>	
27	129176	HOPPER ASSEMBLY, Extension . . . . . Consists of Hopper which is not serviced separately plus items listed below:	2
28	126028	CLAMP, Hopper . . . . .	6
--		BOLT, 3/16 - 24 x 3/8 Stove)	
--		LOCKWASHER, 3/16 ) Clamps to Hopper . . . . .	12
--		NUT, 3/16 - 24 Hex )	
--		BOLT, 1/8 - 40 x 3/8 Stove)	
--		LOCKWASHER, 1/8 ) To Replace Cover Hinge Rivets	6
--		NUT, 1/8 - 40 Hex )	

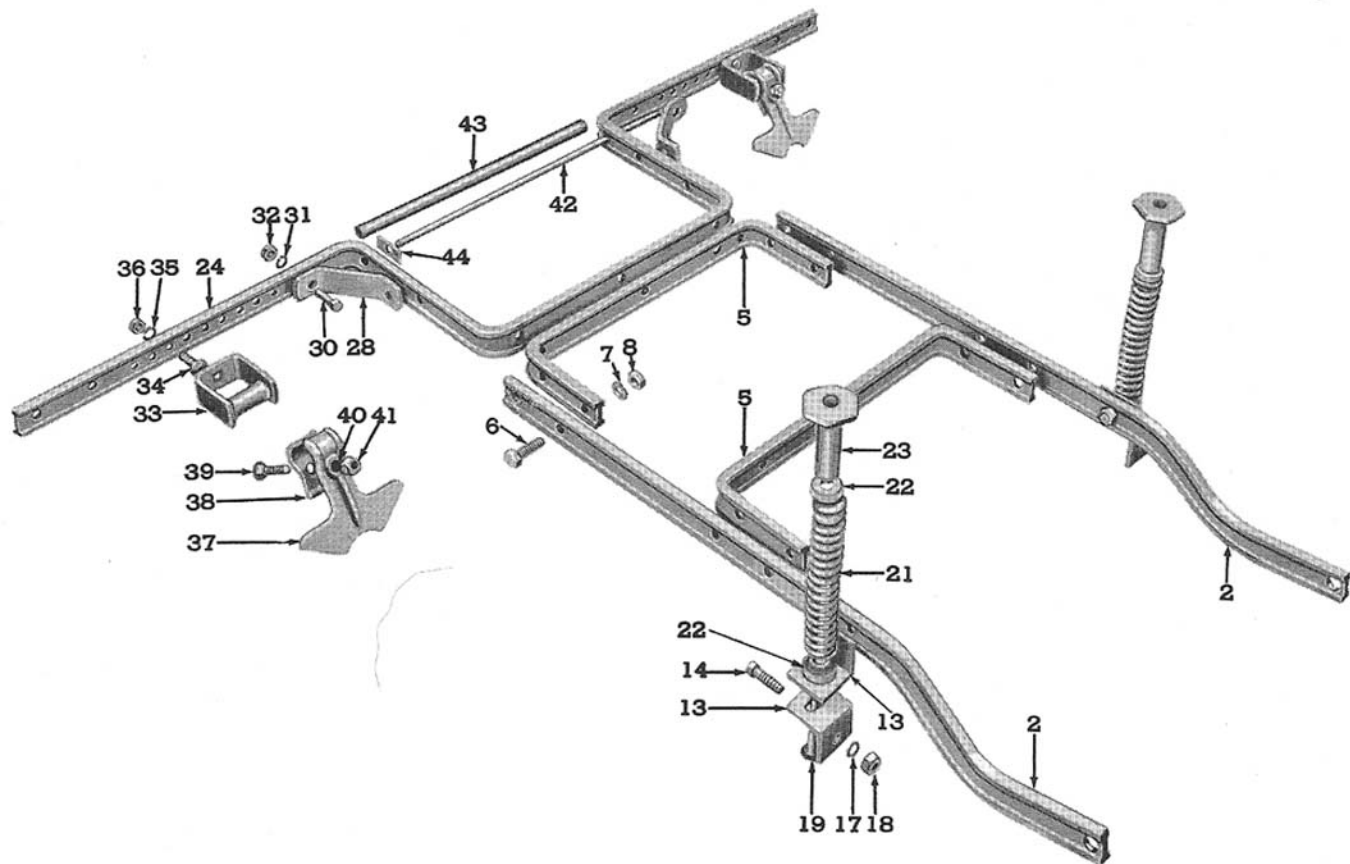


Figure 15 - Rear Frame & Scraper Bar - Models 12-87, 88, 89

# Planter

FIG. 14&15	PART NO.	NAME AND DESCRIPTION	QTY. REQ.		
			12-50 12-62	12-87	12-88 12-89
<u>GROUP 2-1 REAR FRAME &amp; SCRAPER BAR ASSEMBLY FOR PLANTERS</u>					
1	125646	FRAME, Rear . . . . .	1		
2	128158	FRAME, Rear . . . . .		2	2
3	125844	RIVET, 7/16 x 2 Drilled)			
4		COTTER PIN, 1/8 x 1 ) Frame to Hinge	2		
5	128161	BRACE, Frame . . . . .	1	2	2
6		BOLT, 7/16 - 1 1/4 x 2 Hex Hd )		4	4
-		BOLT, 7/16 - 1 1/4 x 1-1/2 Hex Hd)		2	2
-		BOLT, 7/16 - 1 1/4 x 2-1/4 Carr ) Brace to		2	2
7		LOCKWASHER, 7/16 ) Wheel Frame		8	8
8		NUT, 7/16 - 1 1/4 Hex )		8	8
9	125651	SEAT, Spring, Right . . . . .	1		
10	125652	SEAT, Spring, Left . . . . .	1		
11	125653	ANCHOR, Spring, Right . . . . .	1		
12	125654	ANCHOR, Spring, Left . . . . .	1		
13	127999	ANCHOR, Spring . . . . .		4	4
14		BOLT, 7/16 - 1 1/4 x 1-3/8 Hex Hd)	2	2	2
15		BOLT, 7/16 - 1 1/4 x 1-3/4 Carr ) Bracket & Bar	8		
16		BOLT, 7/16 - 1 1/4 x 2 Carr ) to Frame	2		
17		LOCKWASHER, 7/16 )	12	2	2
18		NUT, 7/16 - 1 1/4 Hex . . . . .	12		
19	125871	BOLT, Spring, 7/16 - 1 1/4 x 10" Drld . . . . .	2	2	2
20		COTTER PIN, Bolt to Anchor . . . . .	2		
21	125657	SPRING, Rear Frame Tension . . . . .	2	2	2
22	125643	SEAT, Spring . . . . .		4	4
23	125641	WHEEL, Hand . . . . .	2	2	2
24	128016	BAR, Scraper . . . . .	1	1	1
25		BOLT, 7/16 - 1 1/4 x 1-1/2 Hex Hd)			
26		LOCKWASHER, 7/16 ) Bar to Frame . .	3	3	3
27		NUT, 7/16 - 1 1/4 Hex )			
28	128004	BRACE, Scraper Bar, Used w/128016 . . . . .		2	2
29	125626	BRACE, Scraper Bar (Prior Models) . . . . .	2		
30		BOLT, 7/16 - 1 1/4 x 1-1/2 Hex Hd ) Brace . . . . .	6	2	4
--		BOLT, 7/16 - 1 1/4 x 1-3/4 Hex Hd ) To . . . . .		2	
31		LOCKWASHER, 7/16 . . . . . ) Bar . . . . .	6	4	4
32		NUT, 7/16 - 1 1/4 Hex . . . . . ) . . . . .	6	4	4
33	125627	BRACKET, Scraper (Welded Assembly) . . . . .	2	2	2
34		BOLT, 7/16 - 1 1/4 x 1-1/4 Carr)			
35		LOCKWASHER, 7/16 ) Bracket to	2	2	2
36		NUT, 7/16 - 1 1/4 Hex ) Scraper Bar			

# Planter

FIG. 14, 15	PART NO.	NAME AND DESCRIPTION	QTY. REQ.		
			12-50 12-62	12-87	12-88 12-89
		<u>GROUP 2-1 REAR FRAME &amp; SCRAPER BAR ASSEMBLY FOR PLANTERS (Cont'd)</u>			
37	125655	SCRAPER, Press Wheel . . . . .	2	2	2
38	125656	CAP, Scraper . . . . .	2	2	2
39		BOLT, 3/8 - 16 x 2 Carr)			
40		LOCKWASHER, 3/8 ) Scraper to Bracket . .	2	2	2
41		NUT, 3/8 - 16 Hex )			
42	125660	ROD, Tie, 7/16 - 14 . . . . .	1	1	1
43	125659	SPACER, 1/2 x 16-5/16 Pipe)	1	1	
--	125857	SPACER, 1/2 x 16-7/8 Pipe )			1
44	125648	WASHER, Channel ) Tie Rod			2
45		LOCKWASHER, 7/16 )	2	2	2
46		NUT, 7/16 - 14 Hex )	2	2	2
47	125650	BAR, Disc Coverer (Part of Disc Coverer Assy.)	1		

# Planter

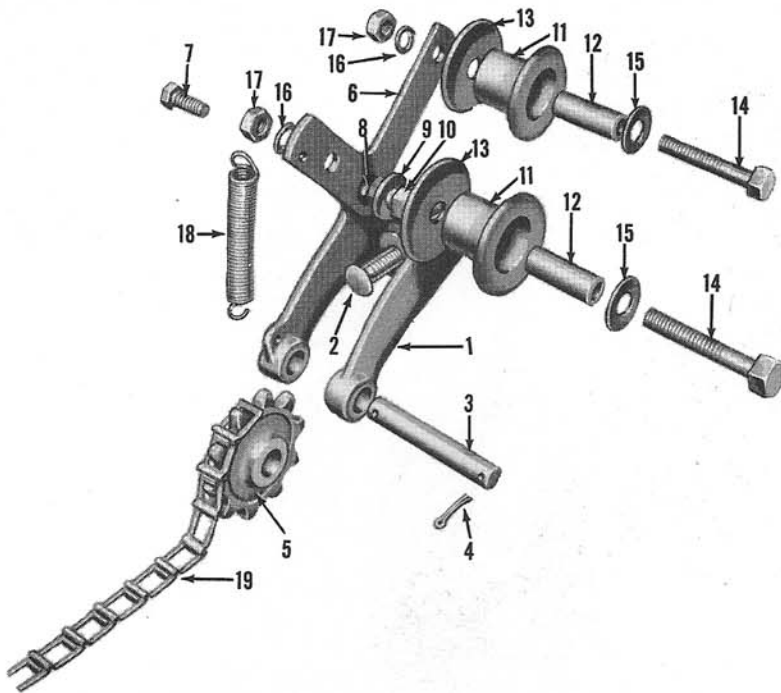


Figure 16 - Frame Idler Sprocket

FIG. 16	PART NO.	NAME AND DESCRIPTION	QTY. REQ.
<u>GROUP 2-2 FRAME IDLER SPROCKET FOR ALL CORN PLANTERS</u>			
1	125633	BRACKET, Idler Sprocket . . . . .	1
2		BOLT, 7/16 - 14 x 1-1/2 Carr)	
-		LOCKWASHER, 7/16 ) Bracket to Center Frame . .	1
-		NUT, 7/16 - 14 Hex )	
3	125634	SHAFT, Idler, 5/8 x 3-11/16 . . . . .	1
4		COTTER PIN, 3/16 x 1 - Shaft to Bracket . . . . .	2
5	125632	SPROCKET, Idler, Frame, 10 Teeth . . . . .	1
6	127994	ARM, Tightener )	
7		BOLT, 7/16 - 20 x 1-1/4 Hex Hd)	
8	125826	SPACER, Pipe, 3/8 x 7/32 ) Arm to Bracket . . . . .	1
9		WASHER, 7/16 Flat )	
10		NUT, 7/16 - 14 Hex )	
11	125639	ROLLER, Chain Tightener . . . . .	2
12	125825	SPACER, Pipe, 3/8 x 1-3/8 )	
13	128035	WASHER, 1/2 ID x 2-1/2 OD Flat)	
14		BOLT, 7/16 - 14 x 2-1/4 Hex Hd)	
15		WASHER, 7/16 Flat ) Roller to Arm . . . . .	2
16		LOCKWASHER, 7/16 )	
17		NUT, 7/16 - 14 Hex )	
18	125658	SPRING, Chain Tightener Tension . . . . .	1
19		CHAIN, Drive - 74 Links, No. 25 Chain (Service from Part No. 164100) . . . . .	1
--	164100	CHAIN, Drive - 133 Links, No. 25 Steel Chain, 10 Ft. Long	AR

# Planter

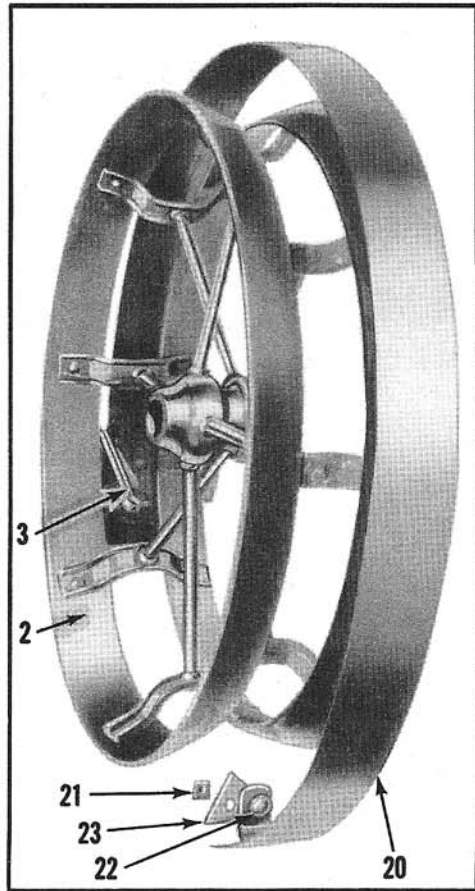
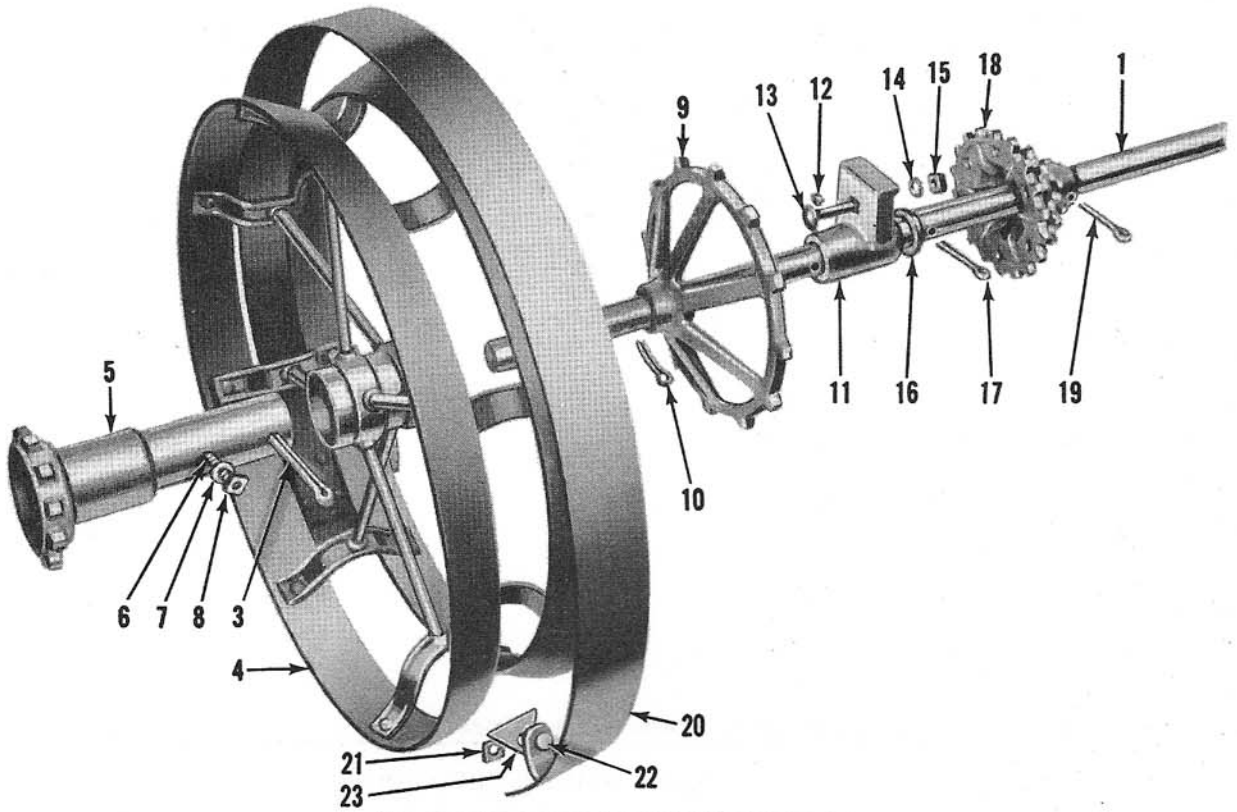


Figure 17 - Wheel & Axle Assembly



# Planter

FIG. 17	PART NO.	NAME AND DESCRIPTION	QTY. REQ.		
			12-50 12-62	12-87	12-88 12-89
<u>GROUP 2-3 WHEEL AND AXLE ASSEMBLY For CORN PLANTERS</u>					
1	128011	AXLE, Rear, 1-1/8 x 49-1/2 . . . . .	1	1	1
2	128021	WHEEL, Press (Welded Assembly) . . . . .		2	2
3		COTTER PIN, 5/16 x 3 - Wheel & Sprocket to Axle	2	2	2
4	125731	WHEEL, Press (Welded Assembly) . . . . .	2		
5	125732	SPROCKET, Drive Wheel . . . . .	2		
6		BOLT, 3/8 - 16 x 1 (Flow)			
7		LOCKWASHER, 3/8 ) Sprocket to Wheel . . .	2		
8		NUT, 3/8 - 16 Hex )			
9	125644	SPROCKET, Reel Drive )			
10		COTTER PIN, 5/16 x 2-1/4 ) Models 12-50, 87 only	1	1	
11	125697	BRACKET, Bearing, Rear Axle . . . . .	2	2	2
12		FITTING, Lube, 1/8 - 27 x 3/4 Straight . . . . .	2	2	2
--	125648	BLOCK, Filler (Rectangular Washer) . . . . .	2		2
13		BOLT, 7/16 - 14 x 2-1/4 Carr)			
14		LOCKWASHER, 7/16 ) Bearing Bracket	2	2	2
15		NUT, 7/16 - 14 Hex ) to Rear Frame			
16		WASHER, 1-1/4 x 1-3/4 x 1/8 Flat)			
17		COTTER PIN, 5/16 x 2 ) Bearing to Axle	2	2	2
18	125642	SPROCKET, Axle Drive, Cluster of 9,14,18 Teeth	1	1	1
19		COTTER PIN, 5/16 x 1-1/2 Sprocket . . . . .	1	1	1
<u>EXTRA EQUIPMENT</u>					
20	121563	BAND ASSEMBLY, Wheel (Pair) . . . . .		2	2
Consists of Band which is not serviced separately plus items listed below:					
21	128013	PLATE, Wedge . . . . .		2	2
22		BOLT, 3/8 - 16 x 2-1/4 Hex Hd) Band and			
--		LOCKWASHER, 3/8 ) Plate		2	2
23		NUT, 3/8 - 16 Hex ) to Wheel			

# Planter

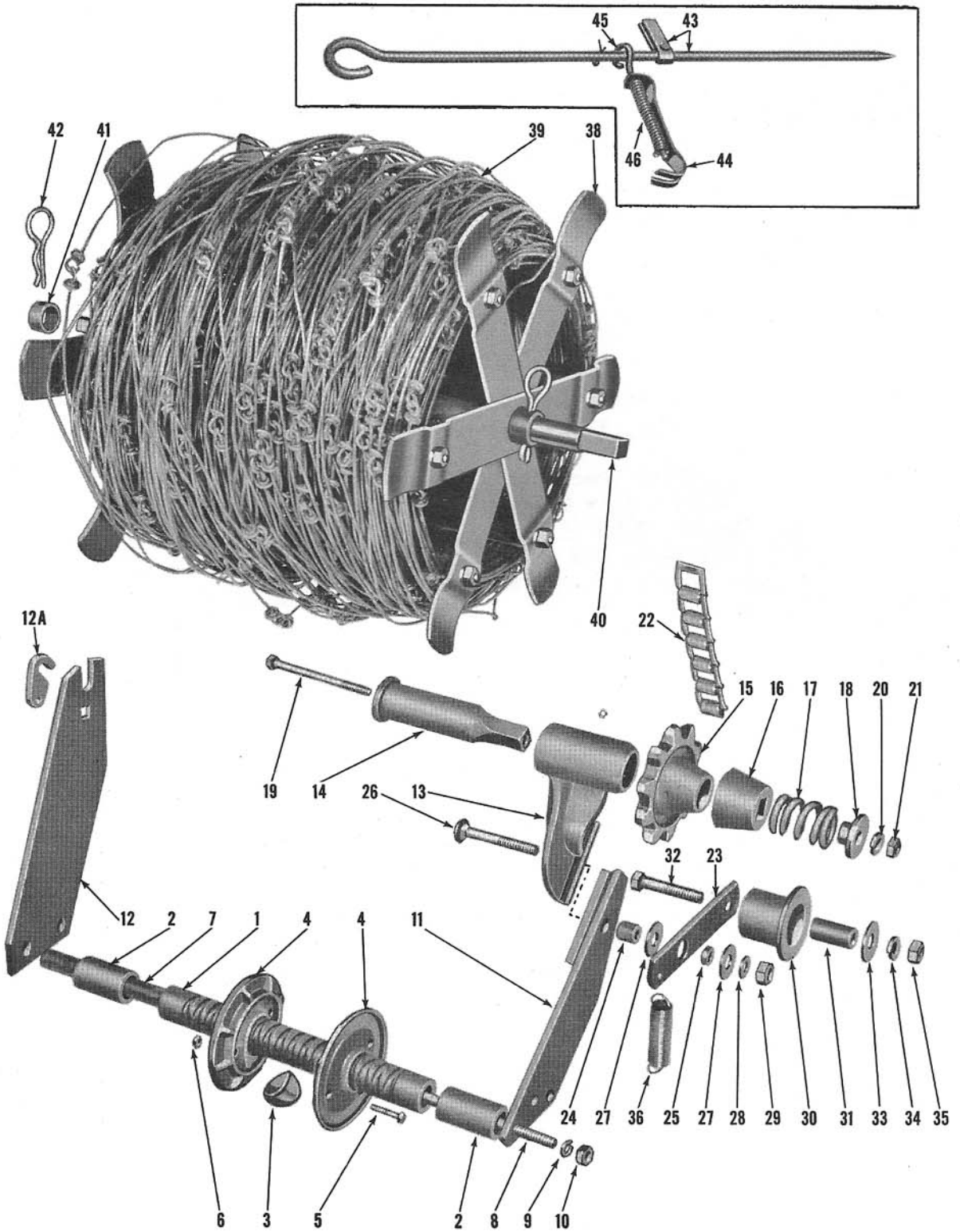


Figure 18 - Check Wire & Level Wind Parts

# Planter

FIG. 18	PART NO.	NAME AND DESCRIPTION	QTY. REQ.
<b>GROUP 2-4 CHECK WIRE AND LEVEL WIND PARTS</b> <u>(Used on Models 12-50 &amp; 12-87)</u>			
1	125661	SCREW, Level Wind . . . . .	1
2	125824	SPACER, Pipe, 1 x 2-1/8 . . . . .	2
3	125629	DOG, Level Wind Screw Sheave . . . . .	1
4	125630	SHEAVE, Level Wind . . . . .	2
5		BOLT, 5/16 - 18 x 1-1/4 Hex Hd) Sheave . . . . .	2
6		NUT, 5/16 - 18 Hex )	
7	125857	SPACER, Pipe, 1/2 x 16-5/16 . . . . .	1
8	125660	ROD, Tie, Level Wind . . . . .	1
9		LOCKWASHER, 7/16 ) Tie Rod . . . . .	2
10		NUT, 7/16 - 14 Hex)	
11	125662	BRACKET, Mounting, Reel and Sprocket . . . . .	1
12	127998	BRACKET, Mounting, Reel . . . . .	1
12A	128163	CLIP, Reel Retaining . . . . .	1
--		BOLT, 5/16 - 18 x 7/8 Carr) Clip to Bracket . . . . .	1
--		NUT, 5/16 - 18 Wing )	
--		BOLT, 1/2 - 13 x 2-1/4 Hex Hd) Bracket to Scraper Bar . . .	2
--		LOCKWASHER, 1/2 )	
--		NUT, 1/2 - 13 Hex )	
13	125671	BRACKET, Reel Sprocket . . . . .	1
14	125670	SPINDLE, Reel Sprocket . . . . .	1
15	125668	SPROCKET, Reel, 10 Teeth . . . . .	1
--	128454	SPROCKET, Reel, 10 Teeth . . . . .	1
16	125849	WASHER, Sprocket, Bearing . . . . .	1
17	125672	SPRING, Reel, Sprocket . . . . .	1
18	125846	SEAT, Spring . . . . .	1
19		BOLT, 3/8 - 16 x 4 Sq Hd) Sprocket and Spring to Spindle .	1
20		LOCKWASHER, 3/8 )	
21		NUT, 3/8 - 16 Hex )	
22		CHAIN, Drive - 44 Links, No. 32 Chain (Service from Part No. 164101) . . . . .	1
--	164101	CHAIN, Drive - 104 Links, No 32 Steel Chain, 10 Ft. Long . .	AR
23	125667	ARM, Idler . . . . .	1
24	125828	SPACER, Pipe, 3/8 x 1/2 )	1
25	125826	SPACER, Pipe, 3/8 x 7/32 )	1
26		BOLT, 7/16 - 14 x 2-1/2 Carr) Arm to Bracket	1
27		WASHER, 7/16 Flat )	2
28		LOCKWASHER, 7/16 )	1
29		NUT, 7/16 - 14 Hex )	1
30	125639	ROLLER, Chain Tightener . . . . .	1
31	125825	SPACER, Pipe, 3/8 x 1-3/8 )	
32		BOLT, 7/16 - 14 x 2-1/4 Hex Hd) Roller to Arm . . . . .	1
33		WASHER, 7/16 Flat )	
34		LOCKWASHER, 7/16 )	
35		NUT, 7/16 - 14 Hex )	

# Planter

FIG. 18	PART NO.	NAME AND DESCRIPTION	QTY. REQ.
		<u>GROUP 2-4 CHECK WIRE AND LEVEL WIND PARTS</u> <u>(Used on Models 12-50 &amp; 12-87) (Cont'd)</u>	
36	125658	SPRING, Idler Arm Tension . . . . .	1
38	125754	REEL ASSEMBLY (Welded and Bolted Assembly) . . . . .	1
39		WIRE, Check, 40" - 80 Rods (Procure Locally) . . . . .	1
40	128039	SHAFT, Reel . . . . .	1
41	125665	COLLAR, Reel, Shaft . . . . .	1
42	128296	PIN, Hair - Reel Shaft . . . . .	2
43	125745	STAKE, Anchor, w/Stop . . . . .	2
44	125749	BRACKET, Stake Anchor . . . . .	2
45	125750	EYEBOLT, Stake Anchor Bracket . . . . .	2
46	125751	SPRING, Stake Anchor Bracket . . . . .	2
--		COTTER PIN, 3/16 x 1-1/4 . . . . .	2
--		WASHER, 17/64 Flat . . . . .	2
--		CHECK WIRE, 42" 80 Rods (Procure Locally) . . . . .	1

# Planter

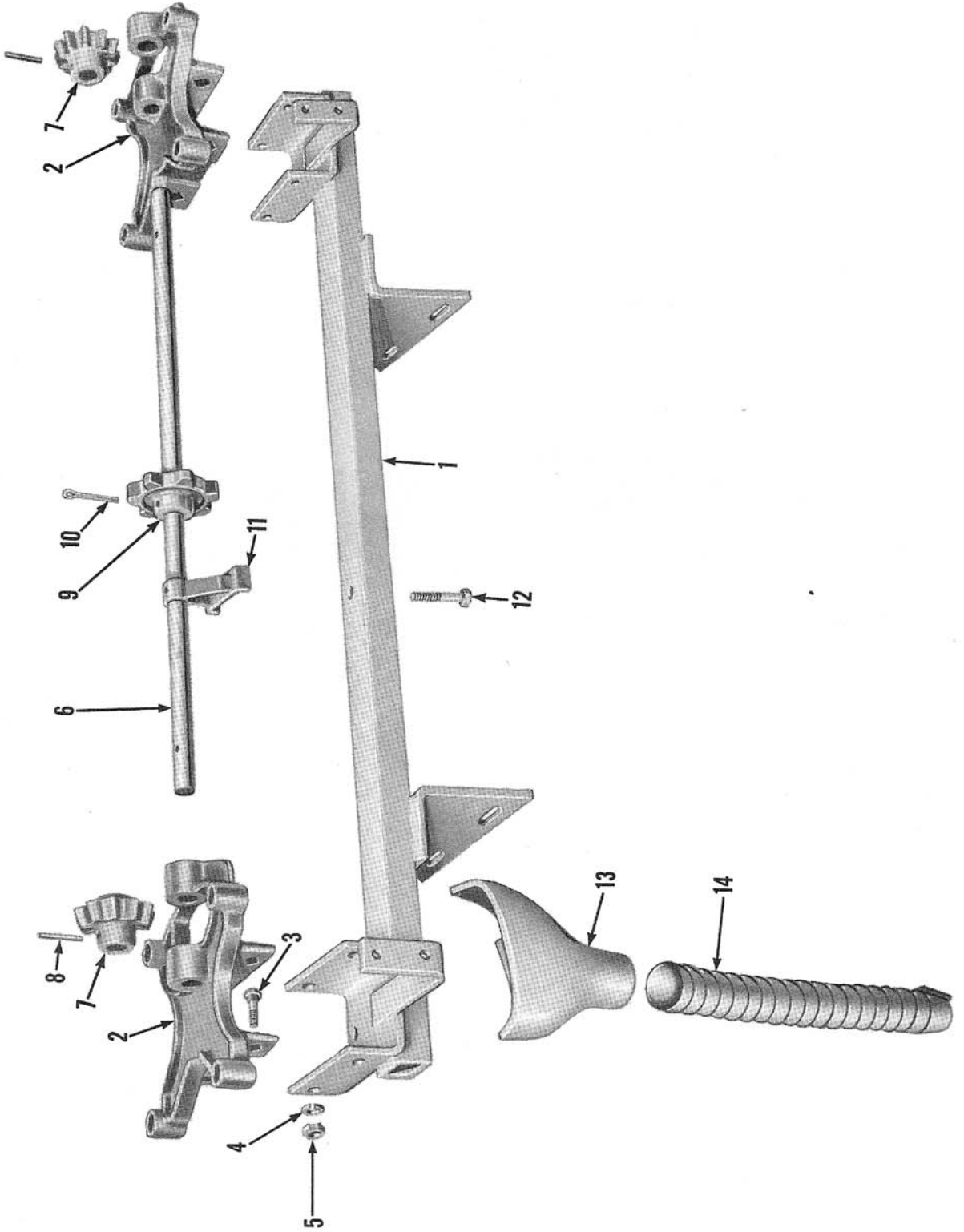


Figure 20 - Fertilizer Mounting & Drive Parts for Models 12-87, 88, 89

# Planter

FIG. 20	PART NO.	NAME AND DESCRIPTION	QTY. REQ.
<b>GROUP 3-1A FERTILIZER MOUNTING &amp; DRIVE PARTS</b> <b>FOR MODELS 12-87, 88, 89</b>			
1	128159	BAR, Mounting, Fertilizer Hopper (Welded Assembly) . . . . .	1
2	126138	BRACKET, Bearing, Fertilizer Hopper . . . . .	2
3		BOLT, 3/8 - 16 x 1-1/4 Carr)	
4		LOCKWASHER, 3/8 ) Bracket to Bar . . . . .	8
5		NUT, 3/8 - 16 Hex )	
6	128034	SHAFT, Hopper Bearing . . . . .	1
7	125686	GEAR, Pinion, Hopper Bearing Shaft . . . . .	2
8		PIN, 3/16 x 1-3/8 Str - Gear to Shaft . . . . .	2
9	125687	SPROCKET, Driven, Fertilizer . . . . .	2
10		COTTER PIN, 3/16 x 1-3/8 - Sprocket to Shaft . . . . .	2
11	125466	BEARING, Fertilizer Shaft . . . . .	1
--		FITTING, Lube, 5/16 x 9/32 Drive . . . . .	1
12		BOLT, 7/16 - 14 x 2-3/8 Hex)	
--		LOCKWASHER, 7/16 ) Bearing to Bar . . . . .	1
--		NUT, 7/16 - 14 Sq )	
--		CHAIN, Drive, 38 Links, No. 32 Chain (Service from Part No. 164101) . . . . .	2
--	164101	CHAIN, Drive, 104 Links, No. 32 Steel Chain - 10 Ft. Long .	AR
--	128001	SPROCKET, Fertilizer Drive, 11 Teeth . . . . .	1
--		COTTER PIN, 5/16 x 2-1/2 - Sprocket to Wheel Axle . . . . .	1
13	128087	SPOUT, Fertilizer . . . . .	2
--		BOLT, 1/4 - 20 x 3/4 Stove)	
--		LOCKWASHER, 1/4 ) Spout to Bar . . . . .	2
--		NUT, 1/4 - 20 Sq )	
14	128064	TUBE, Ribbon, Fertilizer . . . . .	2
--		BOLT, #10 - 32 x 1/2 Stove)	
--		NUT, #10 - 32 Sq ) Tube to Spout and Bar . . . . .	4



# Planter

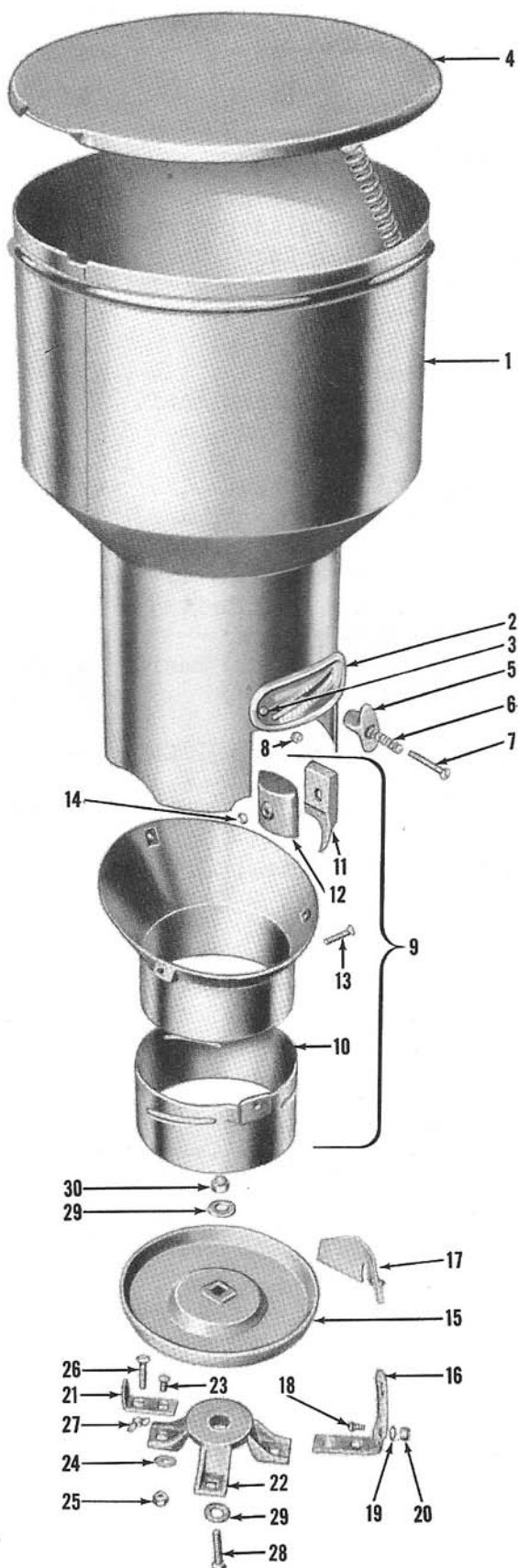


Figure 21 - Fertilizer Hopper Assembly

# Planter

FIG. 21	PART NO.	NAME AND DESCRIPTION	QTY. REQ.
		<u>GROUP 3-1B FERTILIZER HOPPER ASSEMBLY, COMPLETE, #128078</u>	
		<u>For Models 12-50, 62, 87, 88, 89</u>	
1	126177	HOPPER ASSEMBLY, Fertilizer (Riveted Assembly) . . . . .	2
		Consists of Hopper which is not serviced separately plus items listed below:	
2	125783	INDEX, Feed . . . . .	2
3		RIVET, 3/16 x 3/8 Rd Hd - Index to Hopper . . . . .	4
-	125802	COVER, Hopper, Rectangular (Prior Model) . . . . .	2
4	129543	COVER, Hopper, Round . . . . .	2
-	125714	LATCH, Hopper Cover . . . . .	4
-	125717	SPRING, Hopper Cover Latch . . . . .	4
-	125713	RIVET, 1/4 x 1 Rd Hd, Drld)	
-		COTTER PIN, 1/8 x 5/8 ) Latch and Spring to Hopper . .	4
5	125798	LEVER, Feed . . . . .	2
6	125799	SPRING, Feed Lever . . . . .	2
7		BOLT, 1/2 - 20 x 2 Rd Hd Stove)	
8		NUT, 1/2 - 20 Square ) Lever to Hopper . . . . .	2
9	125784	RING ASSEMBLY, Feed Gauge . . . . .	2
		Consists of Ring which is not serviced separately plus items listed below:	
10	125785	GAUGE, Feed, w/Strap (Riveted) . . . . .	2
11	125788	AGITATOR . . . . .	2
12	125789	HOUSING, Agitator . . . . .	2
13		BOLT, 1/4 - 20 x 1/2 Rd Hd Stove)	
14		NUT, 1/4 - 20 Square ) Ring Assembly to Hopper .	6
--		BOLT, 1/4 - 20 x 1-1/2 Flat Hd Stove)	
--		NUT, 1/4 - 20 Square ) Housing to Ring . . .	2
15	125792	BOTTOM, Hopper . . . . .	2
16	125794	STRAP, Hopper Bottom, Right . . . . .	2
17	125797	SCRAPER, Hopper Bottom . . . . .	2
18		BOLT, 1/4 - 20 x 1/2 Carr)	
19		LOCKWASHER, 1/4 ) Straps to Scraper & Hopper . . .	10
20		NUT, 1/4 - 20 Hex )	
21	125795	STRAP, Hopper Bottom, Left . . . . .	2
--	125796	STRAP, Hopper Bottom, Rear . . . . .	4
22	125793	BRACKET, Bearing, Hopper Bottom . . . . .	2
23		BOLT, 5/16 - 18 x 3/4 Flat Hd)	
24		LOCKWASHER, 5/16 ) Straps to Bracket . . . . .	8
25		NUT, 5/16 - 18 Hex )	
26		BOLT, 5/16 - 18 x 1-3/4 Carr)	
27		NUT, 5/16 - 18 Wing ) Hopper Assembly to Base . . .	8
--	128066	AGITATOR, Center (Welded Assembly) . . . . .	2
28		BOLT, 7/16 - 14 x 1-3/4 Carr)	
29		WASHER, 7/16 Flat ) Agitator, Bottom and	2
30		NUT, 7/16 - 14 Hex ) Bracket Retaining	

# Planter

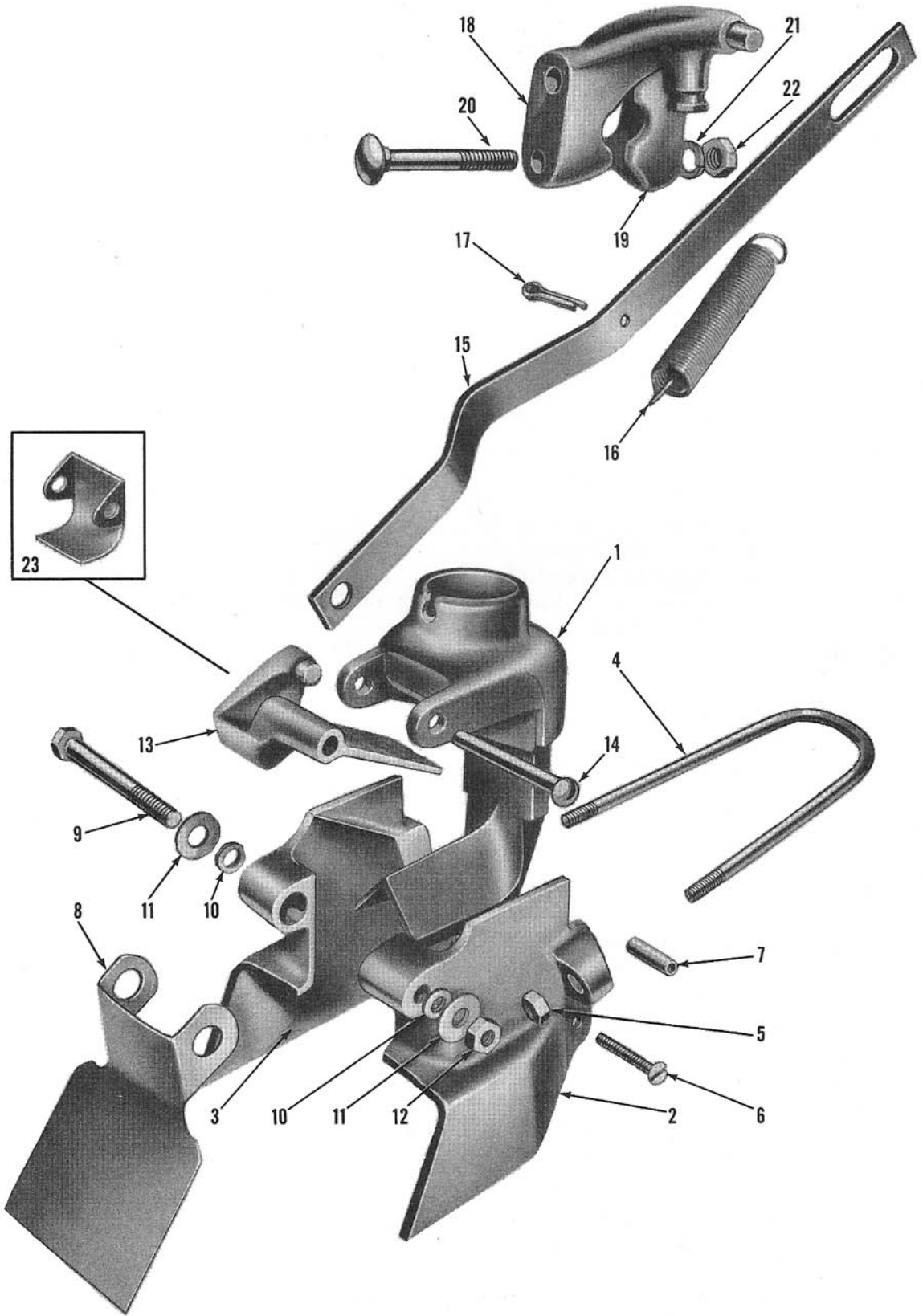


Figure 22 - Fertilizer Boot Assembly

# Planter

FIG. 22	PART NO.	NAME AND DESCRIPTION	QTY. REQ.
<u>GROUP 3-1C FERTILIZER BOOT ASSEMBLY</u>			12-50,87,89 12-62,88
FOR MODELS 12-50,62,87,88,89			
1	125701	DIVIDER, Spout . . . . .	2 2
2	125704	SHOE, Fertilizer Spreader, Right . . . . .	2 2
3	125705	SHOE, Fertilizer Spreader, Left . . . . .	2 2
4	125706	U-BOLT, 5/16 - 18 )	2 2
5		NUT, 5/16 - 18 Hex) Shoe to Shank	4 4
6		BOLT, 1/4 - 20 x 1-5/8 Flat Hd Stove)	2 2
7	125854	SPACER, Pipe, 1/8 x 1-3/16 )Right Shoe to Left Shoe	2 2
8	125707	SHUTTER, Fertilizer Shoe . . . . .	2 2
9		BOLT, 5/16 - 18 x 2-3/4 Square Hd)	2 2
10	125853	SPACER, Pipe, 1/4 x 1/8 )	4 4
11		WASHER, 5/16 Flat ) Shutter to Shoe	4 4
12		NUT, 5/16 - 18 Hex )	2 2
13	125702	VALVE, Fertilizer Shoe, Right . . . . .	1 1
--	125703	VALVE, Fertilizer Shoe, Left . . . . .	1 1
14	125852	RIVET, 5/16 x 2-1/2 Rd Hd Drld)	2 2
--		COTTER PIN, 1/8 x 3/4 ) Valve or Baffle to Shoe	2 2
15	125692	LINK, Trip, Right . . . . .	1 1
--	125691	LINK, Trip, Left . . . . .	1 1
16	125836	SPRING, Trip Link . . . . .	2 2
17		COTTER PIN, 3/16 x 1 - Spring to Link . . . . .	2 2
18	125700	ARM, Trip . . . . .	2 2
--		COTTER PIN, 1/8 x 3/4 - Arm thru Link . . . . .	2 2
19	125694	CAP, Trip Arm . . . . .	2 2
20		BOLT, 3/8 - 16 x 2-3/4 Carr)	
21		LOCKWASHER, 7/16 ) Arm to Cap . . . . .	4 4
22		NUT, 3/8 - 16 Hex )	
23	125891	BAFFLE, Fertilizer Shoe . . . . .	2 2

# Planter

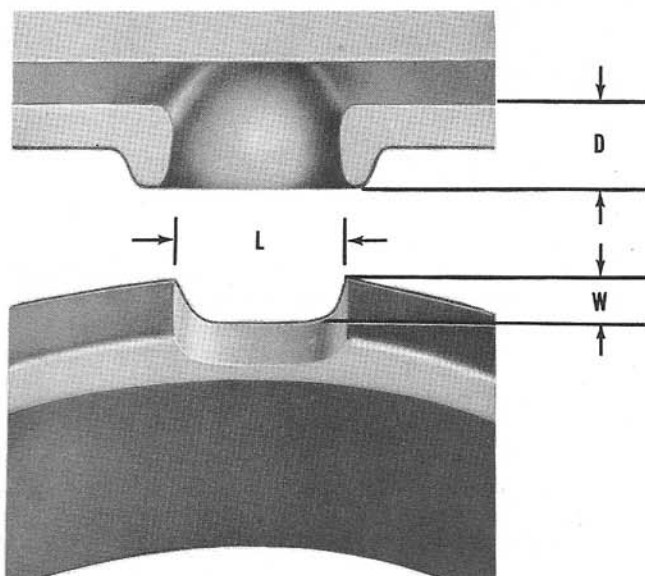


Figure 27 - Seed Plate Dimensions

## SEED PLATE REFERENCE LIST

Part No.	Description	Cells	L	W	D
126056	Large Flat Corn	8	3/4	3/16	1/4
126057	Large Flat Corn	12	3/4	3/16	1/4
126058	Large Flat Corn	16	3/4	3/16	1/4
126062	Medium Flat Corn	8	11/16	3/16	9/32
126063	Medium Flat Corn	12	11/16	3/16	9/32
126064	Medium Flat Corn	16	11/16	3/16	9/32
126070	Small Flat Corn	8			
126071	Small Flat Corn	10			
126072	Small Flat Corn	12			
126073	Small Flat Corn	16			
126076	Extra Small Flat Corn	8	1/2	3/16	9/32
126077	Extra Small Flat Corn	12	1/2	3/16	9/32
126078	Extra Small Flat Corn	16	1/2	3/16	9/32
126080	Pop Corn	8	3/8	3/16	9/32
126081	Kaffir Corn, Cane, Sugar Beets	9	1/4	1/8	5/16
126082	Kaffir Corn, Cane, Sugar Beets	18	1/4	1/8	5/16
126084	Lima Beans, Ensilage Corn	8	25/32	9/32	1/4
126085	Lima Beans, Ensilage Corn	16	25/32	9/32	1/4
126086	Kidney Beans, Soy Beans	24	21/32	1/4	9/32
126087	Pink Beans, Peas	26	1/2	3/16	9/32
126089	Peas, Some Round Corn	9	17/32	9/32	1/4
126090	Peas	18	17/32	9/32	1/4
126092	Small Flat Corn	8	19/32	3/16	1/4
126093	Small Flat Corn	12	19/32	3/16	1/4
126094	Small to Medium Regular & F1 Corn	12	5/8	3/16	9/32
126095*	Atlas Saro, Milo Cane, Broom Corn	12	7/32	7/32	
126096*	Blank Plate				
129686	Bottom Plate for 126095, 96, 103, 104, 105, 106, 107, 108				
126099	Medium Flat Corn	10	5/8	3/16	1/4
	* Use w/126097 Bottom Plate				

# Planter

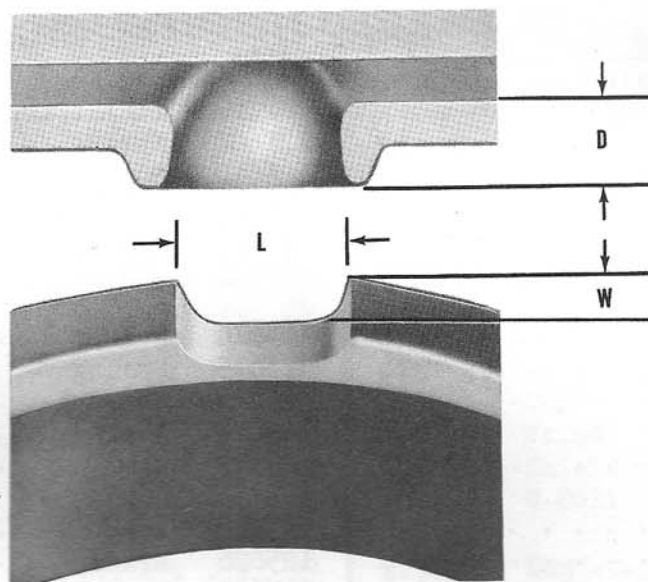


Figure 27 - Seed Plate Dimensions

## SEED PLATE REFERENCE LIST

Part No.	Description	Cells	L	W	D
126100	Soy Beans, Large Flat Corn	12	21/32	7/32	1/4
126101	Blank Plate				
126102	Large Bayo Beans	24	21/32	5/16	9/32
126103*	Soy Beans	30	11/32	7/32	7/32
126104*	Navy Beans & Small Round Corn	8	7/16	7/32	7/32
126105*	Navy Beans & Small Round Corn	12	7/16	7/32	7/32
126106*	Navy Beans	18	7/16	7/32	7/32
126107*	Navy Beans	36	7/16	7/32	7/32
126108*	Pea Beans	36	5/16	5/32	3/16
126109	Extra Small Round Corn	8	7/16	3/16	1/4
126110	Extra Small Round Corn	12	7/16	3/16	1/4
126111	Extra Small Round Corn	16	7/16	3/16	1/4
126114	Small Round Corn	8	17/32	7/32	9/32
126115	Small Round Corn	12	17/32	7/32	9/32
126116	Small Round Corn	16	17/32	7/32	9/32
126117	Medium Round Corn	8	17/32	1/4	1/4
126118	Medium Round Corn	12	17/32	1/4	1/4
126119	Medium Round Corn	16	17/32	1/4	1/4
126121	Medium Small Round Corn	8	17/32	5/32	1/4
126122	Medium Small Round Corn	12	17/32	5/32	1/4
126123	Medium Small Round Corn	16	17/32	5/32	1/4
126124	Soy Beans (Heavy Planting)	24	23/32	5/16	3/8
126125	Large Round Corn, Beans	8	9/16	1/4	1/4
126126	Large Round Corn, Beans	12	9/16	1/4	1/4
126127	Extra Small to Small Flat Corn	12	17/32	5/32	9/32
126128	Extra Small to Small Flat Corn	16	17/32	5/32	9/32
126129	Extra Small Corn, Pop Corn	8	3/8	9/64	9/32

\* Use w/126097 Bottom Plate



## NUMERICAL INDEX

PART NO.	PART NAME	PAGE NO.	PART NO.	PART NAME	PAGE NO.
87901-S	Fitting . . . . .	43	125606	Spring . . . . .	9,17,19
103497	Pin . . . . .	7	125610	Shaft . . . . .	9
104306	Eyebolt . . . . .	41	125611	Housing . . . . .	9
121111	Bracket . . . . .	10,14	125612	Clutch . . . . .	9
121112	"U" Bolt . . . . .	10,14	125613	Dog . . . . .	9,13
121117	Sprocket . . . . .	14	125614	Holder . . . . .	9
121118	Cam . . . . .	14	125615	Spring . . . . .	4,9
121119	Bracket . . . . .	43	125616	Support . . . . .	9
121563	Band Assy . . . . .	27	125618	Shaft . . . . .	9,14
125466	Bearing . . . . .	35	125619	Arm . . . . .	10,15
125554	Bar . . . . .	4	125620	Arm . . . . .	10,15
125557	Bar . . . . .	4	125626	Brace . . . . .	23
125558	Drawbar . . . . .	4	125627	Bracket . . . . .	23
125559	Roller . . . . .	4	125629	Dog . . . . .	29
125560	Upright . . . . .	4	125630	Sheave . . . . .	29
125561	Brace . . . . .	4	125632	Sprocket . . . . .	25
125562	Brace . . . . .	4	125633	Bracket . . . . .	25
125564	Rod . . . . .	10,15	125634	Shaft . . . . .	25
125565	Brace . . . . .	17	125635	Brace . . . . .	5
125573	Valve . . . . .	17	125637	Bracket . . . . .	9
125566	Brace . . . . .	17	125639	Roller . . . . .	25,29,33
125574	Valve . . . . .	17	125641	Wheel . . . . .	23
125575	Pin . . . . .	17	125642	Sprocket . . . . .	27
125576	Valve . . . . .	17	125643	Seat . . . . .	23
125577	Pin . . . . .	17	125644	Sprocket . . . . .	27
125579	Socket . . . . .	10,15	125645	Anchor . . . . .	33
125580	Stud . . . . .	10,15,17	125646	Frame . . . . .	23
125582	Spout . . . . .	17	125648	Washer . . . . .	24,27
125586	Arbor . . . . .	17	125651	Bracket . . . . .	23
125587	Thimble . . . . .	17	125652	Bracket . . . . .	23
125589	Bolt . . . . .	17	125653	Anchor . . . . .	23
125591	Pin . . . . .	15,17	125654	Anchor . . . . .	23
125592	Strap . . . . .	17	125655	Scraper . . . . .	24
125594	Fork . . . . .	19	125656	Cap . . . . .	24
125595	Fork . . . . .	19	125657	Spring . . . . .	23
125596	Hinge . . . . .	19	125658	Spring . . . . .	25,30
125597	Arm . . . . .	19	125659	Spacer . . . . .	24
125601	Dump . . . . .	19	125660	Rod . . . . .	24,29
125602	Roller . . . . .	19	125661	Screw . . . . .	29
125603	Roller . . . . .	19	125662	Bracket . . . . .	29

## NUMERICAL INDEX (Cont'd)

PART NO.	PART NAME	PAGE NO.	PART NO.	PART NAME	PAGE NO.
125665	Collar . . . . .	30	125727	Spring . . . . .	21
125667	Arm . . . . .	29	125728	Spring . . . . .	21
125668	Sprocket . . . . .	29	125729	Ring . . . . .	21
125670	Spindle . . . . .	29	125731	Wheel . . . . .	27
125671	Bracket . . . . .	29	125732	Sprocket . . . . .	27
125672	Spring . . . . .	29	125734	Wheel . . . . .	41
125674	Bracket . . . . .	32	125738	Cap . . . . .	41
125680	Plate . . . . .	32	125739	Washer . . . . .	41
125682	Strap . . . . .	32	125740	Shield . . . . .	41
125683	Strap . . . . .	32	125741	U-Bolt . . . . .	41
125684	Shaft . . . . .	33	125742	Box . . . . .	41
125685	Shaft . . . . .	33	125745	Stake . . . . .	30
125686	Gear . . . . .	33,35	125749	Bracket . . . . .	30
125687	Sprocket . . . . .	33,35	125750	Eyebolt . . . . .	30
125689	Arm . . . . .	33	125751	Spring . . . . .	30
125691	Link . . . . .	39	125754	Reel Assy . . . . .	30
125692	Link . . . . .	39	125783	Index . . . . .	37
125694	Cap . . . . .	39	125784	Ring Assy . . . . .	37
125695	Spout . . . . .	18	125785	Gauge . . . . .	37
125697	Bracket . . . . .	27	125788	Agitator . . . . .	37
125699	Rod . . . . .	45	125789	Housing . . . . .	37
125700	Arm . . . . .	39	125792	Bottom . . . . .	37
125701	Divider . . . . .	39	125793	Bracket . . . . .	37
125702	Valve . . . . .	39	125794	Strap . . . . .	37
125703	Valve . . . . .	39	125795	Strap . . . . .	37
125704	Shoe . . . . .	39	125796	Strap . . . . .	37
125705	Shoe . . . . .	39	125797	Scraper . . . . .	37
125706	U-Bolt . . . . .	39	125798	Lever . . . . .	37
125707	Shutter . . . . .	39	125799	Spring . . . . .	37
125708	Plate . . . . .	5	125802	Cover . . . . .	37
125713	Rivet . . . . .	21,37	125804	Spout . . . . .	33
125714	Latch . . . . .	21,37	125805	Spout . . . . .	33
125716	Cover . . . . .	21	125806	Tube . . . . .	33
125717	Spring . . . . .	21,37	125809	Disc . . . . .	40
125718	Hinge . . . . .	21	125810	Standard . . . . .	40
125722	Cut-Off . . . . .	21	125813	Washer . . . . .	40
125723	Washer . . . . .	21	125814	Washer . . . . .	40
125724	Disc . . . . .	21	125815	Clamp Assy . . . . .	40
125725	Knocker . . . . .	21	125817	Spacer . . . . .	5,7
125726	Latch . . . . .	21	125824	Spacer . . . . .	29

# Planter

## NUMERICAL INDEX (Cont'd)

PART NO.	PART NAME	PAGE NO.	PART NO.	PART NAME	PAGE NO.
125825	Spacer . . . . .	25,29,33	125928	Plate . . . . .	41
125826	Spacer . . . . .	25,29,33	125934	Hopper & Cover Assy . . . . .	21
125828	Spacer . . . . .	29	125963	Washer . . . . .	13
125833	Cap . . . . .	4	125965	Bottom . . . . .	21
125835	Eyebolt . . . . .	10,14	126000	Rod . . . . .	45
125836	Spring . . . . .	14,33,39	126004	Marker . . . . .	45
125837	Clip . . . . .	10,14	126005	Marker . . . . .	45
125841	Washer . . . . .	17	126013	Pulley Assy . . . . .	46
125842	Washer . . . . .	9,13,14	126015	Swivel . . . . .	45
125844	Rivet . . . . .	14,23	126016	Strap . . . . .	45
125846	Seat . . . . .	29	126017	Spacer . . . . .	45
125849	Washer . . . . .	29	126018	Rod . . . . .	45
125850	Support . . . . .	33	126019	Clamp . . . . .	45
125851	Support . . . . .	33	126020	Collar . . . . .	45
125852	Rivet . . . . .	39	126021	Strap . . . . .	45
125853	Spacer . . . . .	39	126028	Clamp . . . . .	21
125854	Spacer . . . . .	39	126063	Plate . . . . .	21
125855	Rivet . . . . .	21	126130	Hinge . . . . .	4
125857	Spacer . . . . .	24,29	126138	Bracket . . . . .	32,35
125864	Spacer . . . . .	9	126177	Hopper Assy . . . . .	37
125868	Axle . . . . .	41	127976	Bracket . . . . .	7
125869	Bushing . . . . .	40	127977	Bearing . . . . .	14
125871	Bolt . . . . .	23	127980	Hitch . . . . .	6
125873	Sprocket . . . . .	14	127983	Hitch . . . . .	6
125876	Support Assy . . . . .	42	127984	Brace . . . . .	7
125880	Support Assy . . . . .	42	127986	Shaft . . . . .	45
125883	Disc . . . . .	42	127988	Rod . . . . .	45
125885	Hub . . . . .	42	127994	Arm . . . . .	25
125886	Hub . . . . .	42	127997	Brace . . . . .	46
125887	Cap . . . . .	42	127997	Brace . . . . .	46
125888	Bushing . . . . .	42	127998	Bracket . . . . .	29
125889	Washer . . . . .	42	127999	Anchor . . . . .	23
125891	Baffle . . . . .	39	128001	Sprocket . . . . .	35
125907	Disc & Hub Assy . . . . .	45	128003	Brace . . . . .	18
125909	Hub . . . . .	45	128004	Brace . . . . .	23
125910	Collar . . . . .	45	128007	Spreader . . . . .	7
125916	Hook Assy . . . . .	5	128011	Axle . . . . .	27
125919	Spring . . . . .	5	128013	Plate . . . . .	27
125920	Clip . . . . .	5	128015	Rod . . . . .	45
125926	Block . . . . .	41	128016	Bar . . . . .	23

# Planter

## NUMERICAL INDEX (Cont'd)

PART NO.	PART NAME	PAGE NO.	PART NO.	PART NAME	PAGE NO.
128017	Arch	46	128161	Brace	23
128018	Point	45	128162	Spacer	7
128021	Wheel	27	128163	Clip	29
128022	Opener	17	128164	Bracket	14
128024	Upright	7	128166	Bearing	13
128025	Bar	6	128199	Latch	19
128026	Bar	6	128204	Arm	10, 14
128027	Bar	6	128260	Bracket	43
128028	Bar	6	128261	Hook	46
128031	Brace	18	128262	Pulley	46
128034	Shaft	35	128296	Pin	30
128035	Washer	25	128302	Spacer	10, 14
128039	Shaft	30	128454	Sprocket	29
128048	Brace	7	128491	Support	17
128050	Cover	13	128504	Arm	9, 14
128051	Ratchet	13	128505	Housing	13
128053	Pawl	13	128671	Eye Bolt	17
128056	Shaft	13	128680	Gear	17
128064	Tube	35	128688	Plate	17
128065	Retainer	13	128692	Cap	21
128066	Agitator	37	129176	Hopper Assy	21
128069	Lever	13	129214	Shoe	18
128070	Clip	7	129232	Gear	9, 14
128071	Pin	13	129543	Cover	37
128073	Shaft	13	129612	Nut	17, 18
128074	Quadrant	13	132934	Cap	43
128075	Pin	13	132935	Spindle	43
128081	Lever	13	132936	Bearing	43
128082	Holder	13	132937	Hub	43
128083	Shank	17	132938	Disc	43, 45
128085	Brace	7	132940	Bearing	43
128087	Sprock	35	132941	Bracket	43
128088	Shaft	14	164100	Chain	25
128089	Support	13	164101	Chain	29, 33, 35
128090	Can	13	302323-58	Bolt	43
128091	Spring	19	302345	Bolt	43
128093	Head	19			
128094	Head	19			
128153	Frame	23			
128159	Bar	35			